

DOUBLE ACTION AUTOLOADING PISTOLS

SAFETY WARNINGS AND INSTRUCTION HANDBOOK



READ CAREFULLY BEFORE USING THIS FIREARM

INDEX

Some basic firearm safety rules	5
Model MiniThunder 9 and MiniThunder 40 • Technical data	6
Model MiniThunder 45 Ultra Compact • Technical data	8
Spare Parts • Model Bersa	11
How to use your firearm	12
Safety warnings	18

SOME BASIC FIREARM SAFETY RULES

1. Always treat every firearm as if it were loaded.
2. Always be sure the barrel is clear of any obstruction.
3. Always store firearms and ammunition separately, locked if possible, and out of reach of children and others unfamiliar with firearms.
4. Always be sure of your backstop, target, what is beyond it and the safety of any bystander before shooting.
5. Always wear adequate eye and ear protection when shooting.
6. Always use clean, dry, factory-manufactured ammunition with the proper size and caliber for your firearm.
7. Never lend your firearm to anyone unfamiliar with its operation or the basic rules of firearms safety. Make sure anyone using your firearm has read and understood this Instruction and Safety Manual.
8. Never point your firearm at anything you do not intend to shoot!
9. Never carry this firearm loaded without the safety lever ON!
10. The best safety device is your own common sense. Use it.



MINI THUNDER 9
MINI THUNDER 40

TECHNICAL DATA

■ Model MiniThunder 9

Caliber: 9 x 19 mm

Operation: Semiautomatic

Locking system: Link-free design

Action: Single and double action

Overall length: 6.53 inches

Width: 1.46 inches

Height: 4.76 inches

Weight: 23 ounces

Barrel length: 3.25 inches

Rifling: R.H., 6 grooves (pitch 10 inches)

Magazine capacity: 10 + 1

Safety features: - Manual safety breaking the connection between trigger and sear.

- Automatic firing pin safety.

- Hammer decocking safety

Finish: Matte blue / nickel / duotone

Rear sight: Dovetailed to slide

Front sight: Blade, integral with slide

Line of sight: 5 inches

Special features: Grooved frame

Reversible magazine release button

Hammer fully skeletonized (elongated-hole-through-spur)

After firing the last cartridge, the slide remains open

Easy disassembly

U-SYSTEM Sights

Fully ambidextrous

■ Model MiniThunder 40

Caliber: .40 S&W



MINI THUNDER 45

TECHNICAL DATA

■ Model MiniThunder 45 Ultra Compact

Caliber: .45 ACP

Operation: Semiautomatic

Locking system: Link-free design

Action: Single and double action

Overall length: 6.81 inches

Width: 1.46 inches

Height: 5.08 inches

Weight: 27 ounces

Barrel length: 3.6 inches

Rifling: R.H., 6 grooves (pitch 16 inches)

Magazine capacity: 7 + 1

Safety features: - Manual safety breaking the connection between trigger and sear.

- Automatic firing pin safety.

- Hammer decocking safety

Finish: Matte blue / nickel / duotone

Rear sight: Dovetailed to slide

Front sight: Blade, integral with slide

Line of sight: 5.55 inches

Special features: Grooved frame

Reversible magazine release button

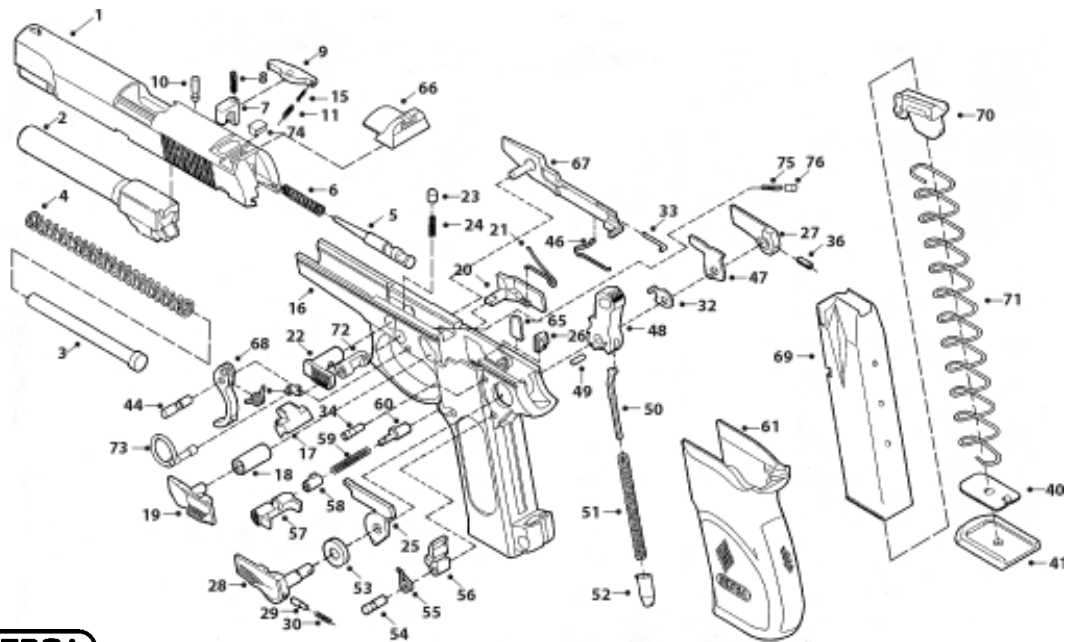
Hammer fully skeletonized (elongated-hole-through-spur)

After firing the last cartridge, the slide remains open

Easy disassembly

U-SYSTEM Sights

Fully ambidextrous



BERESA

SPARE PARTS:

■ Model **BERSA**

- | | | |
|---------------------------------------|----------------------------|-----------------------------|
| 1. Slide | 28. Safety bar (left) | 59. Magazine catch spring |
| 2. Barrel | 29. Safety pin | 60. Magazine catch pin |
| 3. Guide rod, recoil spring | 30. Safety spring | 61. Grip |
| 4. Recoil Spring set | 32. Hammer release | 65. Disconnecter |
| 5. Firing pin | 33. Safety drawbar spring | 66. Rear sight |
| 6. Firing pin spring | 34. Safety stop pin | 67. Drawbar |
| 7. Automatic firing pin safety | 36. Safety elastic pin | 68. Trigger |
| 8. Automatic firing pin safety spring | 40. Magazine bottom holder | 69. Magazine |
| 9. Extractor | 41. Magazine bottom | 70. Feeder platform |
| 10. Extractor pin | 43. Trigger spring | 71. Magazine spring |
| 11. External extractor spring | 44. Trigger pin | 72. Internal locking system |
| 15. Internal extractor spring | 46. Drawbar spring | 73. Safety key |
| 16. Frame | 47. Automatic safety cam | 74. Firing pin stop |
| 17. Barrel cam | 48. Hammer | 75. Safety spring |
| 18. Barrel cam bushing | 49. Hammer strut pin | 76. Safety stop |
| 19. Slide catch (left) | 50. Hammer strut | |
| 20. Slide catch (right) | 51. Hammer spring | |
| 21. Slide catch spring | 52. Grip catch | |
| 22. Disassembly bar | 53. Hammer guide bush | |
| 23. Disassembly bar stop | 54. Sear pin | |
| 24. Disassembly bar spring | 55. Sear spring | |
| 25. Ejector | 56. Sear | |
| 26. Hammer stop | 57. Magazine catch | |
| 27. Safety bar (right) | 58. Magazine catch bush | |

HOW TO USE YOUR FIREARM

Remove the magazine from the pistol by depressing the magazine release button (Fig. 1).

Loading the magazine:

Hold the magazine with one hand, and with the other push down the feeder platform or the round already in the magazine and carefully slide the new cartridge completely back under the lips. Repeat this procedure until the magazine is fully loaded.

Damaged or bent magazine lips may cause malfunctions. Do not use force.

Loading the cartridge chamber:

Before loading, be sure the muzzle is pointed in a safe direction. Insert the fully loaded magazine into the pistol. Hold the firearm with one hand, and with the thumb and index fingers of the other hand grasp the serrated sides of the slide and pull it back (Fig. 2), then release the slide.

The firearm is now loaded and ready to fire.

Caution: Always keep your finger off the trigger whenever you do not intend to fire.

Safety:

Engage the manual safety by pushing it up (Fig. 3). This movement disengages the connection between the trigger and the hammer.

Decock the hammer and block the slide. The red warning dot then disappears.

SAFETY WARNING: All owners and users of FIRESTORM pistols are reminded to use the decocking lever to decock their pistols. This is the only way to safely lower the hammer.

Warning:

The hammer should never be manually lowered by pulling the trigger. Manually lowering the hammer is dangerous and may result in severe personal injury or death.

WARNING: DO NOT THUMB THE HAMMER DOWN. This action may result in severe personal injury or death. ALWAYS USE THE DECOCKING LEVER.

Firing:

If you intend to fire your pistol, push down the manual safety lever and squeeze the trigger.

Since the hammer is uncocked, the pull on the trigger will first cock the hammer and then release it. This firing mode is called double action.

The discharge will recoil the slide which, in turn, will eject the fired cartridge case, cock the hammer, and activate the recoil spring. The slide then automatically returns forward feeding the next cartridge from the magazine into the chamber. **THE PISTOL THEN IS READY TO FIRE AGAIN.**

Squeeze the trigger to fire again.

To fire the first shot by the single action mode, simply cock the hammer manually after disengaging the safety and squeeze the trigger.

When the last round has been fired, the slide remains fully back. If you intend to fire again, remove the empty magazine and insert a loaded one. Press the slide catch (Fig. 4) to close the slide and load the chamber.

CAUTION: Always keep your finger off the trigger whenever you do not intend to fire.

Safety Key:

Your pistol is provided with an internal locking system operated by a special key. It is located above the trigger in the left side of the frame. In the unlocked position (F) the pistol is ready to fire. In the locked position (S) you can not cock the hammer, fire in double action, load a cartridge in the chamber or disassemble the pistol. Please make sure that your pistol is in the lock position (S) when not in use. Always store and keep your pistol unloaded and in a safe place away from minors. Replacement keys can be ordered by calling customer service at 1-732-493-0333.

Unloading the pistol and chambered cartridge:

Press the magazine release button and then grasp the serrated sides of the slide from the rear and draw the slide fully rearward in order to extract any cartridge from the barrel chamber.

When sure the chamber is empty and the cartridge has been ejected, release the slide.

How to reverse the magazine release button: After removing the magazine, unscrew and remove the

pin of the grip. Remove the grip. Repeat the same procedure with the pin of the magazine release button (Fig. 6) until it is dropped out. Put the magazine release button in the place of your preference following the above procedures in reverse order. Then screw back the pin of the grip and reassemble it.

MAINTENANCE

It is recommended to clean and lubricate the pistol every time it is fired.

Field Stripping

Make sure the pistol is unloaded.

Depress the magazine release button and remove the magazine. With right thumb rotate disassembling latch until it stops (Fig. 7). Pull forward the slide-barrel assembly with recoil spring and spring guide (Fig. 8). Slightly pressing the recoil spring guide head, lift the recoil spring guide (Fig. 9 and 10). Take out the barrel from the slide

No further disassembly is recommended unless done by a competent gunsmith.

Cleaning and lubricating: After dismantling, clean the barrel and chamber with a light film of high quality gun oil to clean all exposed internal surfaces. Put special attention on the bolt face (where the firing pin

protrudes) and under the extractor hook. Lubricate moving parts sparingly with a light high quality gun oil. Wipe off any excess oil.

Assembly:

Assemble following the Field Stripping procedure in reverse order. It is advisable to pay attention to the following points:

The recoil spring guide head should lodge in the center of its groove in the barrel base. When rotating the disassembling latch, the slide should be in the closed position

References:



FIG. 1



FIG. 2



FIG. 3



FIG. 4



FIG. 5



FIG. 6



FIG. 7



FIG. 8



FIG. 9



FIG. 10

SAFETY WARNINGS

Ear and eye protection: Use ear plugs or earmuff-type protectors to guard you against cumulative, permanent hearing loss as a result of continuous exposure to shooting noise.

Shooting glasses will guard you against powder, gas, carbon residue, lubricant, metallic particles or similar debris that may emanate occasionally from any firearm in normal use

Always make sure that anyone near you is also wearing ear and eye protection.

Safety mechanism:

1. Your firearm has an effective, well-designed safety mechanism. However, there's no safety mechanism capable of substituting your common sense and good safety procedures. No safety can guard you against horseplay, carelessness, or improper use. It may become ineffective by break age or malfunction due to abusive use, incorrect assembly, or unauthorized adjustments.
2. While handling any firearm, never allow it to point at any part of your body or at another person. No harm should result if you obey this rule, even if an accidental discharge occurs.
3. The safety mechanism should be on until you are actually aiming at the target ready to shoot
4. When turning the safety ON or OFF, point the muzzle in a safe direction and keep your finger off the trigger.
5. Be sure to put the safety in the correct position or it will not be effective. Some firearms have a red warning dot next to the safety which should be totally covered when the safety is on.
6. Do not carry the firearm loaded without the safety on (Double action revolvers and some double action pistols have an automatic internal safety mechanism instead of a manual one).

Loading:

1. Be sure the muzzle is pointing in a safe direction when loading the firearm
2. Do not load or unload a firearm in a confined space such as a vehicle or building other than a well-constructed shooting range. In an enclosed area there is not usually a safe direction in which to point the firearm, and if accidentally fired, there is a great risk of causing personal injury or property damage.
3. Clean all oil and grease from the chamber before loading, and be sure nothing is obstructing the barrel. Any obstruction in the barrel may cause the barrel to bulge or burst when firing it, or otherwise damage the firearm or injure the shooter and bystanders.

Firing:

1. When cocking a firearm, keep your finger off the trigger and point the muzzle in a safe direction.
2. Never carry a cocked firearm around or leave it unattended! A cocked firearm will fire with the slightest pressure on the trigger. If you fall or the firearm is dropped, or someone hits it, an accidental firing may occur.
3. When firing a semi-automatic gun, keep your fingers, hand, face and all other parts of your body away from the ejection port, or any other part of the slide (or bolt) when it is moving. The shooter will not be injured if the firearm is held and fired at arm's length.
4. Be sure no one is standing where they may be struck by an empty cartridge case. Ejected cases are hot and may cause burns, cuts or eye injuries (if no eye protection is worn). Be sure there is

a clear, safe, unobstructed path for fire cases to be ejected. And also be sure they will not bounce off a hard object and hit someone.

5. If your firearm has a mechanical malfunction while shooting, or if powder or gas emanates from it, or if a cartridge case is bulged or ruptured, or if the sound of the fire is not quite right, **DO NOT CONTINUE SHOOTING. STOP IMMEDIATELY AND UNLOAD THE FIREARM.** Then take the firearm and ammunition to your gunsmith.
6. A loaded cartridge case that becomes jammed in a semiautomatic gun between the slide (or bolt) and the barrel may be removed as follows: Keep the muzzle pointed in a safe direction. First, remove the magazine, and then pull the slide or bolt back. Hold it or lock it to the rear. Remove the jammed case by shaking the firearm or pick it out with your fingers.

Unloading:

1. Be sure the muzzle is pointed in a safe direction.
2. After removing the magazine, be sure to clear the chamber
3. Do not assume a firearm is unloaded until you have visually checked it.

Transporting and storing your firearm:

1. Always keep your firearm unloaded when transporting it to and from shooting activities.
2. Store firearms and ammunition separately, preferably locked and secured. Keep firearms and ammunition out of reach of children, untrained individuals or careless, unauthorized adults.

Semi-automatic pistols:

1. Carrying a semi-automatic pistol with a cartridge in the chamber greatly increases the chances of accidental firing. Doing so may only be justified in cases of clear and present danger. For instance, in cases of self-defense you may have to fire your pistol instantly, however this is not recommended. The safest way to carry a loaded pistol is to have the chamber empty.
2. If you **MUST** carry a semi-automatic pistol with a cartridge in the chamber, be sure the hammer is decocked. If your pistol has a hammer lowering lever, use this lever instead of the trigger to lower the hammer. And also, if your pistol has a manual safety, always leave it on when carrying the pistol with a cartridge in the chamber until the firearm is aimed at the target ready to shoot.

Ammunition:

1. Use high-quality, original, factory-manufactured ammunition in your firearm. Never use ammunition that is wet, dirty, corroded or damaged. Never oil or lubricate ammunition or let excess aerosol lubricants, preservatives, or cleaners come into contact with cartridges. This may cause dangerous malfunction problems. Be sure your ammunition has the proper caliber, which is engraved on the firearm. Do not use ammunition of any other caliber.
2. Reloading ammunition is a science. Improperly loaded ammunition may cause severe damage to your firearm and severe injury to both the shooter and other individuals. Use ammunition approved by the U.S. Sporting Arms and Ammunition Manufacturers' Institute, Inc. (SAAMI). All warranties are void if you use reloaded, "remanufactured", handloaded, or other non-standard ammunition.

3. Excessive pressure inside the chamber or the barrel may cause severe damage to the firearm and/or severe injury to the shooter. This may be caused by obstructions in the barrel, propellant powder overloads, or the use of incorrect, wrongly assembled, dirty, corroded or damaged cartridges.
4. Stop shooting IMMEDIATELY and check the barrel for obstructions if:
 - you have difficulties in chambering a cartridge or feel unusual resistance
 - a cartridge misfires
 - a fired cartridge case is not extracted
 - you see unburned grains of powder in the mechanism
 - a shot sounds abnormal or weakDirty, corroded, oil hampered completely, and the cartridge case may burst when firing.
8. Wipe any oil preservative from the chamber before shooting and do not lubricate the cartridges. Lubricants interfere with the required friction between the cartridge case and the chamber wall. This causes stress similar to excessive pressure.
9. Do not use too much lubricant on your gun's moving parts. Do not spray gun care aerosol products where they may come into contact with ammunition. Do not overspray. Lubricants, especially aerosol sprays, may penetrate cartridge primers and cause the ammunition to misfire. Some lubricants may get inside cartridge cases and prevent powder from igniting. If only the primer ignites, the bullet may become lodged in the barrel.

Firearm care:

1. When your firearm is delivered it comes in a factory package and has a light coating of protective grease and oil. Clear all this grease and oil from the bore and exposed mechanism before loading.
2. Double-check your firearm is unloaded before disassembling it for cleaning.
3. After cleaning, make sure you have not left a cleaning patch or any other obstruction in the bore or chamber.

Parts:

BERSA's distributor has a complete supply of replacement parts. Even though most gunsmiths are highly qualified to make the necessary repairs to your firearm, the workmanship of any particular gunsmith, other than those in our Service Department, is totally beyond our control. Should your firearm ever require service, we strongly recommend that you return it to **BERSA**. Unauthorized adjustments or parts replacement can void your warranty.

It is the responsibility of the purchaser to be absolutely certain that any parts ordered from **BERSA** are of the correct type and are properly fitted and installed by a competent person. THE IMPROPER FITTING OF PARTS OR IMPROPER MECHANICAL ADJUSTMENT MAY RESULT IN A DANGEROUS MALFUNCTION, DAMAGE TO THE FIREARM, AND POSSIBLE SEVERE INJURY TO THE SHOOTER OR TO OTHERS. Therefore, the purchaser and/or installer of parts must accept full responsibility for the correct adjustment and function of the firearm after such installation has been made or attempted.

Service policy:

Your firearm has been carefully inspected and tested before being shipped to ensure it meets our specifications and standards. If your firearm needs adjustments, refinishing or repairs, we highly recommend that you obtain factory service from **BERSA**.

If you have any questions about your firearm's performance, write to our Service Department and accurately describe the situation. If the Service Department feels your firearm may need factory service, they will let you know and give you all the instructions for shipping the firearm adequately.

BERSA's distributor will inspect your firearm thoroughly and evaluate the problem or problems you mentioned in your letter. If the repairs needed are not covered by the warranty (copy enclosed), we will send you a quotation of the actual cost of the repairs, not an estimate. You must authorize all repairs. No repairs will be made without your express approval.

Returning firearms for service:

1. Federal Licensed dealers may ship handguns via U.S. Mail. The Post Office confiscates hand guns mailed by private individuals.
2. Under Federal Law, you may return rifles by U.S. Mail. Other firearms may be returned by common carriers such as United Parcel Services (UPS). State and local gun laws vary greatly. Consult your local prosecuting attorney about any laws in your area that may restrict shipping or receiving firearms. Taking all these facts into account, we strongly recommend that you send your firearm for repairs to our distributor through a Federal Licensed dealer.

3. All firearms must be sent out by prepaid shipment. WE DO NOT ACCEPT COLLECT SHIPMENTS.
4. You may return your firearm for repairs to the following addresses:
BOLSA GUNSMITHING – 7404 Bolsa Avenue, Westminster, CA 92683 – Tel.: 714-894-9100.
WALKER ARMS COMPANY – 499 Dallas Road 820 Selma, NJ 36701 – Tel.: 334-872-6231.
AHLMAN'S – 9525 W. 230th Street, Morristown, MN 55052 – Tel.: 507-685-4243 or 4244.
5. Together with the firearm, enclose a letter indicating the serial number, caliber and barrel length, and also the work that is needed or the problem you have experienced with the firearm. Be specific. Do not simply write the words “defective” or “repairs needed”. In addition, enclose copies of any previous letters dealing with the repairs. There will be a minimum service charge for repair works that is not covered by the warranty.
6. YOUR FIREARM MUST BE SHIPPED UNLOADED. Before shipping, double-check the chamber to make sure it is unloaded. By law, **BERSA**'s distributor is required to notify Federal authorities if firearms are sent loaded.
7. When shipping firearms to us, do not include custom grips or stocks, belts, slings, holsters, telescopic sights, or any other accessory.

Liability:

REVOLVERS AND PISTOLS ARE CLASSIFIED AS FIREARMS OR DANGEROUS WEAPONS. **BERSA** and its Distributors sell them pursuant to the specific understanding that they are not

responsible, in any way whatsoever, for the safe handling or resale of the firearm under local laws and regulations.

BERSA and its Distributors do not assume responsibility for any firearm malfunction, personal injury, or property damage resulting in whole or in part from criminal or negligent discharge, improper or careless handling, unauthorized modifications, use of defective, improper, reloaded, or handloaded ammunition, customer neglect, corrosion, or any other circumstances or effects beyond their direct and immediate control. This limitation is applicable regardless of whether the liability is asserted on the basis of negligence, contract, or strict liability (including any failure to give a warning).

BERSA and its Distributors are not liable under any circumstances for any incidental or consequential damages such as commercial loss, loss for use of property, and/or loss of profits or earnings.

IMPORTANT: KEEP THIS MANUAL WITH YOUR FIREARM!

THE MANUAL MUST BE TRANSFERRED WITH CHANGE OF OWNERSHIP.

SERIAL NUMBER:

OWNER PURCHASE DATE:.....

OWNER: PURCHASE DATE:.....

OWNER: PURCHASE DATE:.....

NOTE: THIS INFORMATION CAN BE OF GREAT VALUE TO YOU FOR INSURANCE PURPOSES. PLEASE, KEEP THIS MANUAL IN A SECURE PLACE.



WORLD CLASS QUALITY

BERSA S.A. Magallanes 775 (B1704FLC) Ramos Mejía,

Provincia de Buenos Aires • Argentina

Tel: (54-11) 4658-0246 – Fax: (54-11) 4656-2093

Mail: info@bersa-sa.com.ar