

DIAMONDBACK FIREARMS

Safety and Handling Instructions **.380 AUTO PISTOL**



WARNING!

Please read this owner's manual before taking your new DIAMONDBACK FIREARMS pistol out of the box. It is vital to your safety and the safety of others that you understand and adhere to the information contained in this manual, as well as information supplied by the manufacturer of the ammunition. If you have any questions, please call or write to:

DIAMONDBACK FIREARMS, LLC
4135 Pine Tree Pl. Cocoa, FL 32926
888-380-2767

CONTENTS

INTRODUCTION	3
SAFETY INFORMATION	4
LOADING AND FIRING	10
UNLOADING	12
SIGHT ADJUSTMENT	13
FIELD STRIPPING	14
LUBRICATION	15
SERVICE	16
TROUBLESHOOTING	17
LIMITED LIFETIME WARRANTY	18

INTRODUCTION

You are now the owner of a DIAMONDBACK FIREARMS semi-automatic pistol. With proper maintenance and care, it will serve you for many years to come.

To ensure the best performance from your pistol, please read and follow the instructions in this manual. Firearms are inherently dangerous and great emphasis should be placed on the need for safety. Always remember that you, as the owner, are the ultimate safety device.

You should become familiar with your pistol and its operation before using any live ammunition or actual firing. Study the instructions carefully and make sure you understand the pistol's operational guidelines.

This manual provides the necessary information you need to know in order to use your pistol safely and effectively. Should you have any questions or comments about this pistol or its use and maintenance, or if you need more information about other DIAMONDBACK FIREARMS products and accessories, please write or call:

DIAMONDBACK FIREARMS, LLC
Customer Service Dept.
4135 Pine Tree Pl.
Cocoa, FL 32926
888-380-2767

California Proposition 65 Warning

“Discharging firearms in poorly ventilated areas, cleaning firearms, or handling ammunition may result in exposure to lead and other substances known to cause birth defects, reproductive harm, and other serious physical injury. Have adequate ventilation at all times. Wash hands thoroughly after exposure.”

SAFETY INFORMATION

Before you remove your new DIAMONDBACK FIREARMS pistol from the box, please read the following information. It is vital to both your safety and the safety of others.

Firearms safety is your responsibility.

This **SAFETY & HANDLING INSTRUCTIONS** manual should always accompany this firearm, and should be transferred with the firearm upon change of ownership or when the firearm is presented to another person.

WARNING: YOU MUST FOLLOW ALL OF THESE SAFETY RULES TO ENSURE THE SAFE USE OF YOUR FIREARM. FAILURE TO FOLLOW THE INSTRUCTIONS AND WARNINGS CONTAINED IN THIS MANUAL COULD CAUSE SERIOUS INJURY OR DEATH TO YOU OR OTHERS. DAMAGE TO PROPERTY MAY ALSO OCCUR.

ALWAYS KEEP YOUR FIREARM POINTED IN A SAFE DIRECTION. Never point a firearm at anyone or anything you do not intend to shoot, whether or not the firearm is loaded. This is particularly important when loading, unloading, or field-stripping the gun. ALWAYS control the direction of the firearm.

This pistol may be classified as a dangerous weapon and is surrendered by DIAMONDBACK FIREARMS, LLC with the understanding that the purchaser assumes all liability resulting from unsafe handling or any action that constitutes a violation of any applicable laws or regulations. Firearms can cause serious injury or death. Safety must be the prime consideration of anyone who handles firearms. Always treat a firearm as though it were loaded. Always keep the muzzle pointed in a safe direction.

When assuming ownership of a firearm, you become responsible for the safety and security of the firearm. Always secure firearms and keep out of the reach of children.

ALWAYS TREAT EVERY FIREARM AS IF IT WERE LOADED AND WILL FIRE. Do not take anyone's word that the firearm is unloaded: always check for yourself. Never pass your firearm to another person until the cylinder or action is open and you confirm visually that it is unloaded. Keep your firearm unloaded and safely stored when not in use.

NEVER PLACE YOUR FINGER INSIDE THE TRIGGER GUARD OR ON THE TRIGGER UNLESS YOU INTEND TO FIRE.

ALWAYS BE SURE OF YOUR TARGET AND WHAT IS BEYOND IT. Always be sure where the bullet will strike, and shoot only where there is a safe back-stop free of obstructions. Water or other surfaces can cause ricochets. Be sure your bullet will stop behind your target. Bullets can ricochet off many surfaces, such as rocks, and travel in unpredictable directions with considerable velocity. Do not fire randomly into the sky.

Make sure your "audience" maintains a five foot distance behind you. No one should stand next to you when you are firing a firearm.

GUN SAFETY IS YOUR RESPONSIBILITY

SAFETY INFORMATION

- **Never touch the trigger when working the slide.**
- **Never alter any components of your firearm.**
- **Never keep a loaded firearm in your home, car, boat, or RV.**
- **Never store a firearm with a cartridge in the chamber.**
- **Never store firearms and ammunition together. Keep them secured and away from children.**

For maximum safety when carrying any pistol with a loaded magazine in place, the chamber should be empty, and the slide should be closed. Any gun may fire if dropped or struck.

Only use high-quality commercially-manufactured ammunition, that is in excellent condition and is the correct caliber for your pistol.

The use of reloaded and Plus P ammunition will void this firearm's Warranty. Reloads or poor-quality ammunition may not meet industry specifications (SAAMI and/or NATO), may exceed pressure limits, and may be unsafe.

Never use ammunition where the pressure levels exceed industry standards. DIAMONDBACK FIREARMS, LLC will not be held liable for any personal injury or property damage and consequential damages, if faulty ammunition is used in DIAMONDBACK FIREARMS pistols.

Never take medications, drugs, or alcohol when handling firearms.

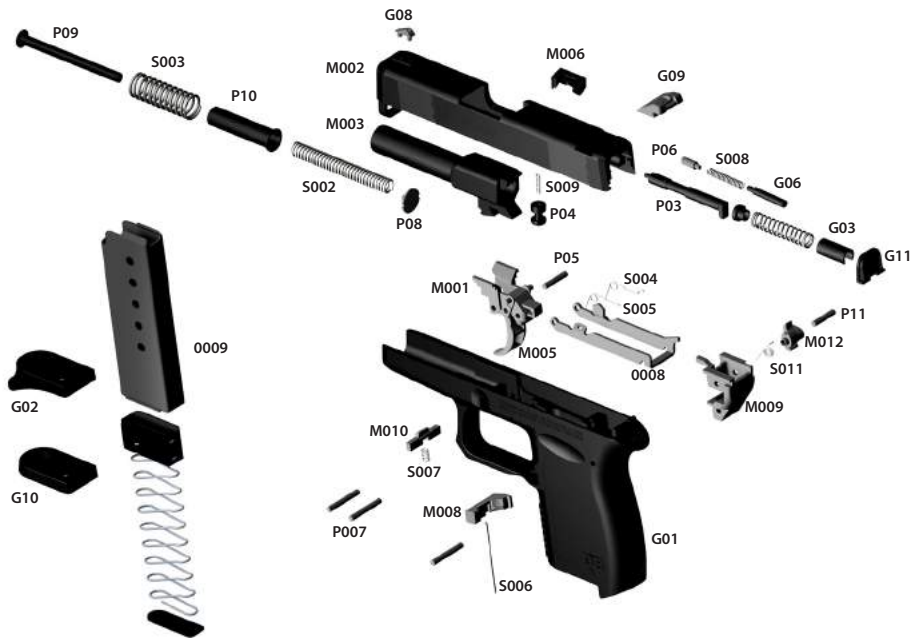
Never discharge a firearm without proper equipment such as shooting glasses and hearing protection.

If the gun does not discharge after the trigger is pulled, do not change its direction for at least 30 seconds. The round could be a “hangfire”. If the gun sounds different or does not operate, unload the firearm and make sure the barrel is free from obstruction before continued firing.

Do not allow anyone to handle or attempt to fire a DIAMONDBACK FIREARMS firearm until they have read and understand this manual and the procedures for safe operation and safe gun-handling.

Be sure that all accessories, such as holsters magazines and grips, are compatible with the firearm and that the accessories do not interfere with safe operation.

Never cross obstacles such as fences or streams with a loaded firearm.



PARTS LIST

P03 - Firing Pin

P04 - Firing Pin Block

P05 - Trigger Axis

P06 - Extractor Plunger Pin

P07 - Assembly Pin

P08 - Recoil Guide Head

P09 - Recoil Guide

P10 - Recoil Spring Hat

P11 - Sear Axis

M001 - Cam Block

M002 - Slide

M003 - Barrel

M005 - Trigger

M006 - Extractor

M008 - Magazine Catch

M009 - Rear Frame Rail

M010 - Assembly Catch

M012 - Sear

0008 - Trigger Bar

0009 - Magazine Assembly

G01 - Grip/Receiver

G02- Magazine Grip Extension

G03 - Firing Pin Spring Preload Spacer

G04 - Firing Pin Spring Retainer

G06 - Extractor Spring Rod

G08 - Front Sight

G09 - Rear Sight

G10 - Magazine Flat Bottom Plate

G11 - Slide Rear Cover

S001 - Firing Pin Spring

S002 - Recoil Spring Inner

S003 - Recoil Spring Outer

S004 - Trigger Spring Right

S005 - Trigger Spring Left

S006 - Magazine Catch Spring

S007 - Assembly Catch Spring

S008 - Extractor Spring

S009 - Firing Pin Block Spring

S011 - Sear Spring

LOADING AND FIRING

WHEN LOADING A DIAMONDBACK FIREARMS PISTOL, ALWAYS BE SURE THAT THE PISTOL IS POINTED IN A SAFE DIRECTION AND THAT THE TRIGGER FINGER IS OUTSIDE OF THE TRIGGER GUARD AND WELL AWAY FROM THE TRIGGER.

USE ONLY AMMUNITION OF THE PROPER CALIBER, AS SPECIFIED ON THE FIREARM.

The magazine is filled by pushing one round at a time into the magazine. Rounds are pushed, rear lip first, into the front of the magazine. First push the round down to overcome the pressure of the magazine spring, then push the round fully to the rear of the magazine.

Visually inspect the chamber to verify that it is empty. This will reset the firing pin if you have dry fired the weapon.



Insert the magazine into the magazine well at the base of the grip. Push until the magazine catch is fully engaged.

Pull the slide fully to the rear then release it completely to allow the recoil springs to force the slide forward at a high rate of speed. This action will load a round from the magazine into the chamber.

NOTE: Only chamber rounds from the magazine. Do not attempt to chamber an individual round.

The DIAMONDBACK FIREARMS pistol is now ready to fire. DO NOT PUT YOUR FINGER INSIDE THE TRIGGER GUARD OR NEAR THE TRIGGER UNTIL YOU HAVE IDENTIFIED YOUR TARGET AND INTEND TO SHOOT.

IF YOU PULL THE TRIGGER THE PISTOL WILL FIRE. Hold the pistol firmly when shooting. If it is not held firmly, a misfeed could occur.



UNLOADING

To unload the DB380, remove the magazine by pressing the magazine catch in and pulling it from the bottom of the grip, and pull the slide back quickly to extract and eject the round in the chamber. Do not obstruct the ejection port. Keep all fingers away from the trigger and muzzle.

VISUALLY INSPECT THE CHAMBER TO MAKE SURE IT IS EMPTY.



SIGHT ADJUSTMENT

NOTE: This section does not apply to “MS MODELS”

The rear sight is held in place by a tight fit. Windage (Side to Side) adjustments are made by pressing the rear sight in the direction you want the bullet to move. If the target group is to the left of where you are aiming the sights, then move the rear sight to the right and this will move the bullet placement to the right.

NOTE: When pressing the sight, use a non-marring material against the sight and the slide to avoid damage to either.



FIELD STRIPPING

For normal cleaning and maintenance, it is sufficient to dismantle or “field strip” the pistol into its main components: Slide, Barrel, Recoil Spring, Recoil Spring Guide Assembly, Receiver and Magazine.

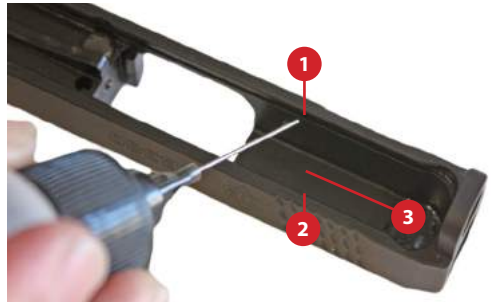
First, remove the magazine and visually confirm that there is not a round in the chamber. Then pull the trigger, releasing the striker. Next, pull the slide and barrel back just enough to allow the assembly catch to be pressed down all of the way. While holding the assembly catch down, release the slide and barrel and remove them from the receiver.



NOTE: If the slide is pulled too far back it will reset the striker and will not slide forward off of the receiver. Do not use force! Repeat operations above.

LUBRICATION

Remove the magazine and visually confirm that there is not a round in the chamber. Then “Field Strip” the pistol. Remove the Barrel. There are three lubrication points on the inside of the slide. They are illustrated in the picture to the right.



There are two lubrication points on the grip assembly. They are illustrated in the picture to the right.



SERVICE

Should your pistol need adjustment, refinishing, or repair, it should be returned to the factory, unloaded.

When shipping the pistol, be sure to adhere to the following rules:

Individuals who wish to return the handgun for service can do so by shipping it to the address below. No return authorization number is required.

Any firearm shipped for service must have a child safety lock and key with it. If not then DIAMONDBACK FIREARMS will include one upon return at the owners expense.

Include a letter of instruction, your full name, address, telephone number, and the gun's serial number. This will insure prompt service and handling. Once your pistol has been received, anything other than warranty work will receive a quotation. You will be notified of full charges and no work will commence before your approval of the quote has been obtained.

DIAMONDBACK FIREARMS accepts payments in the form of money orders, American Express, Discovery, Mastercard and Visa. Please return your pistol to:

Diamondback Firearms, LLC

Service Dept.
4135 Pine Tree Pl.
Cocoa, FL 32926

TROUBLESHOOTING

The proper function of your DB380 is directly related to care and maintenance. As with any firearm, a 50-100 round break-in period may be required. During this period, some failure-to-feed, failure-to-extract or failure-to-eject malfunctions may occur.

Failure-to-Feed: occurs when a cartridge has been fed from the magazine but not fully into the chamber. The most common causes are: improper ammunition, dirt or debris impeding the magazine follower, or as a result of not holding the pistol firmly while shooting. Point your gun in a safe direction and remove the magazine, then remove the round from the chamber. Clean and lubricate the firearm properly, then reload and try to fire again.

Failure-to-Feed: may also occur if the firearm has been dry fired prior to chambering a round without resetting the firing pin by pulling the slide back partially and letting it go.

Failure-to-Extract: occurs when a fired case is not fully extracted from the chamber. The most common causes are: improper ammunition, dirt or debris, a damaged extractor or not holding the firearm tight enough. Point your gun in a safe direction and remove the magazine, then remove the fired case. Check ammunition for proper caliber and type, and check for any damage of the extractor. Clean and lubricate the firearm properly, then reload and try to fire again.

Failure-to-Eject: occurs when a fired case is extracted fully from the chamber but does not clear the ejection port properly. The most common causes are: improper ammunition, dirt or debris, a damaged ejector tip or not holding the firearm tight enough. Check ammunition for proper caliber and type, check for any damage of the ejector tip. Clean and lubricate the firearm properly, then reload and try to fire again.

DIAMONDBACK FIREARMS, LLC.

LIMITED LIFETIME WARRANTY

This "Limited Lifetime Warranty" has been drafted to comply with the MAGNUSON-MOSS WARRANTY FEDERAL TRADE COMMISSION IMPROVEMENT ACT which is effective for goods manufactured on or after December 31, 1976. DIAMONDBACK FIREARMS, LLC. warrants that this firearm was originally manufactured free from defects in material and workmanship.

DIAMONDBACK FIREARMS, LLC. agrees to correct any defect in material and/or workmanship for the original purchaser by repair or replacement ONLY. A service or handling charge may be applied at the company's discretion.

DIAMONDBACK FIREARMS, LLC. will not be responsible for defects resulting from careless handling, unauthorized adjustments or modifications, corrosion, neglect, abuse, failure to provide reasonable and necessary maintenance as described by this owners manual. Damage caused by hand loaded and/or reloaded or improper ammunition or damage caused from firing with any obstruction in the barrel will not be warranted. This warranty does not apply to ordinary wear and tear of any parts, including metal, plastic, or any other material used to manufacture this product, as well as all surface finishes.

Under no circumstances shall DIAMONDBACK FIREARMS,LLC. be responsible for incidental or consequential damages with respect to economic loss or injury or property damage, whether as a result of breach of express or implied warranty, negligence or otherwise. Some states do not allow the exclusion or limitation of incidental or consequential damages, so the above limitation or exclusion may not apply in certain cases.

If you need to return your gun to DIAMONDBACK FIREARMS for warranty or service related claims, please refer to the shipping instructions in the SERVICE section of this manual on page 16.



DIAMONDBACK

DB

FIRE