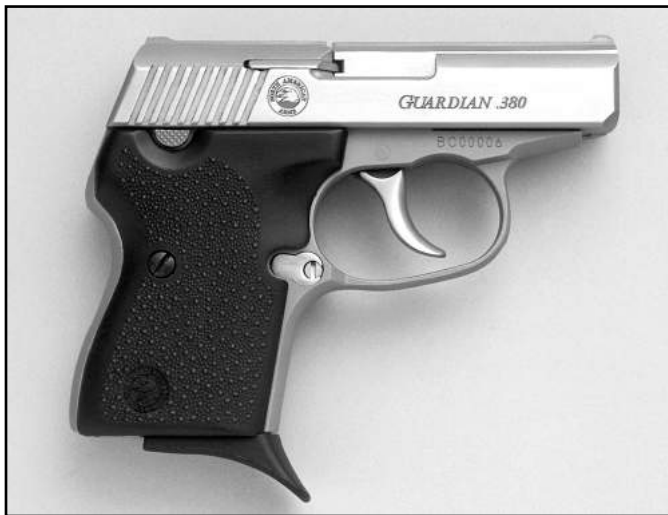




**NORTH AMERICAN ARMS, INC.**  
**GUARDIAN**  
*Owner's & Instruction Manual*



**WARNING!**

*Read and fully understand this manual before removing this firearm from its package. This firearm, like many revolvers and autoloading pistols, is designed without any external manual safety or internal magazine disconnect. **THIS PISTOL WILL FIRE IF THE TRIGGER IS PULLED!** It should **always** be considered loaded and ready to fire unless and until the magazine has been removed and the chamber has been checked to verify that the firearm is unloaded. **Be sure to read and fully understand all safety instructions shown in this manual before you remove this firearm from its package, load, unload, fire or do anything else with this firearm!***

## Warning Statement:

Discharging firearms in poorly ventilated areas, cleaning firearms, or handling ammunition may result in exposure to lead and other substances known to the state of California, which may cause or contribute to the causation of birth defects, reproductive harm, and other serious physical injury. Have adequate ventilation at all times. Wash hands thoroughly after exposure.

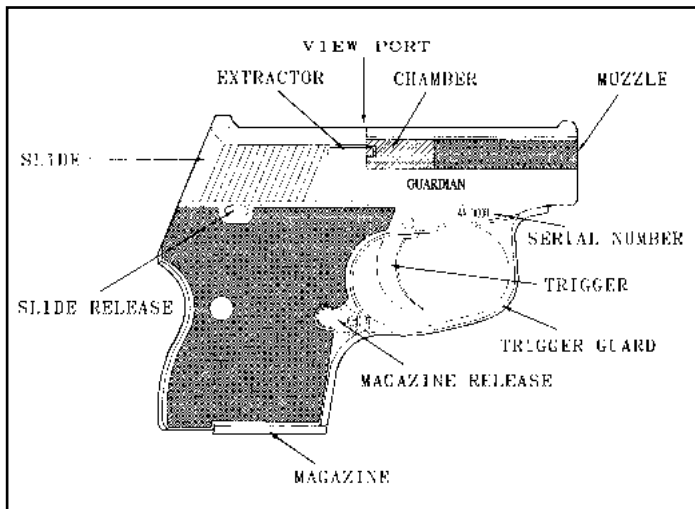
## Statement of Non Liability:

**WARNING!** This pistol is a dangerous weapon and is surrendered by North American Arms, Inc. (NAA) with the understanding that the purchaser assumes the risk and all liability resulting from unsafe handling or any action that constitutes a violation of any applicable laws or regulations. NAA will not be liable for personal injury or loss of

property or life resulting from the use of this pistol under any circumstances, including intentional, reckless, negligent or accidental discharge.

Further, NAA will not be liable for any alterations to the pistol or any parts thereof. NAA will not condone nor authorize any alterations or changes whatsoever to be made after the pistol has left the factory. If your NAA pistol is in need of service or adjustment, follow the instructions in this manual for returning your pistol to the factory for repair.

Please be certain that you have carefully read and fully understand the warnings, safety information and safe handling procedures in this manual before removing the gun from its package. Be sure you understand the functions of this pistol before loading and firing it. Exercise safe handling of this pistol at all times.



**Assembled View**

## INTRODUCTION

### *Caution:*

*Prior to loading and firing, carefully read and understand this instruction manual. It gives basic advice on the proper handling and functioning of the NAA Guardian.*

*Failure to observe the safety instructions contained in this manual can result in property damage, serious personal injury or death.*

Congratulations on your purchase of North American Arms' double-action-only (DAO) pocket pistol, the *Guardian*! This 6+1 semi-automatic pistol (with a simple blowback-operated action) has been designed to be a "Convenient, Reliable, Effective" personal protection weapon. We have manufactured it from the finest available high-strength heat-treated steels, to standards unsurpassed in the firearms industry, with a level of quality assurance and workmanship to guarantee you a lifetime of shooting enjoyment.

The *Guardian* is a personal protection handgun. It is not designed to be of target-grade accuracy, not of hunting lethality. It is, instead, designed to be a defensive weapon comprising what we believe is the optimal combination of portability - due to its minimal physical characteristics such as size and weight - and deterrence.

The *Guardian* is, first and foremost, a handgun and, as such, is a potentially violent and lethal weapon. While not to be feared by the handler, it is to be regarded and treated with an extraordinary degree of respect and attentive, thoughtful handling. The overwhelming majority of handgun accidents are directly related to ignorant &/or negligent mishandling or misuse. The *Guardian* is a gun and, handled improperly, can cause death or serious damage to person and property. **Under ordinary circumstances, a detonated cartridge is very loud, and an expelled cartridge could cause eye injury; you are advised to wear both hearing and eye protection when firing the NAA Guardian or any other firearm.**

The following pages contain several instructional passages about the operation and maintenance of this firearm. These instructions contain numerous important advisories about the proper and safe handling of this, or any other, firearm as well as warnings about the possible consequences of ignoring these instructions.

*Until you acknowledge having read all these instructions and having understood all these safety warnings, you should not touch, load or fire this weapon.*

Additional information is available from sources such as your dealer where you purchased this firearm, a local law enforcement office, educational organizations such as the National Rifle Association, or the manufacturer, NAA, who can be contacted toll-free at (800) 821-5783. This manual should accompany the gun in the event of a transfer of ownership: additional copies are available free, upon request to the factory.

### ***Important Safety Information***

#### ***Caution:***

Your safety and the safety of your family and others depend on your safe and mature adoption, development and consistent employment of ***Safe Firearms Handling Practices***.

If you are unfamiliar with firearms, seek further advice through safe handling courses run by your local gun clubs, approved instructor, or similar qualified organizations. If you have any questions about this firearm or where you can seek proper firearms safety training, call North American Arms toll-free at 1-800-821-5783.

While we can't attempt to be all-inclusive, the following general firearms handling practices must be followed:

- *"Always keep the muzzle pointed in a safe direction. This is the most basic safety rule."*
- *"Treat every gun as though it's always loaded." Personally and positively assure yourself of the safe condition of any firearm whenever you handle one.*
- *"Never touch the trigger or place your finger inside the trigger guard, until you're prepared to fire the gun."*
- *"Never point the muzzle at anything you are unwilling to kill, maim or destroy."*
- *"Be sure of your target, and what's behind it." Always be sure your backstop is adequate to stop and contain bullets before shooting so you do not hit anything outside the target area.*
- *"Never shoot at a hard surface, such as a rock or a liquid surface. A bullet may ricochet and strike you or someone else."*
- *"Never leave a firearm unattended, whether loaded or unloaded. Always put a responsible and competent adult in charge of your firearm to maintain safety and reduce the likelihood of accidents."*
- *"Always be sure the barrel is clear of obstructions before shooting."*

## Instructions For Use

### **Ammunition:**

The NAA *.32 ACP Guardian* is designed to utilize any commercially manufactured *.32 ACP* ammunition.

The NAA *.380 ACP Guardian* is designed to utilize any commercially manufactured *.380 ACP* ammunition.

### **Warning:**

Never use ammunition where the pressure levels exceed industry standards. **Never use nonstandard or reloaded ammunition.**

*(Parts' identification are found on page 10).*

### **Loading the Magazine**

*With your finger outside of the trigger guard and pointing the muzzle in a safe direction, depress the magazine release button. Load the magazine by pressing the rear (rim) of the cartridge downward on the forward portion of the magazine follower and, maintaining downward pressure, then sliding the cartridge rearward, fully under the lips of the magazine until the cartridge is against the rear wall of the magazine. Repeat this process, placing the next round atop the previous one until the magazine contains up to six cartridges. Do not attempt to load more than six cartridges.*



### **Loading the Pistol**

*Check to ensure that the pistol is not already loaded, or contains any other obstruction in the barrel or chamber. With the magazine removed, your finger outside of the trigger guard and pointing the muzzle in a safe direction, pull the slide back 1/2" until you can look into the chamber and verify that the chamber is empty; allow the slide to return forward. Eject a round, if one exists, by pulling the slide sharply rearward to the limit of its travel.*

### **Important Caution:**

*The **Guardian** does **not** have a magazine interconnect to prevent it*

from being fired when the magazine is removed; with a round in the chamber and a firm pull on the trigger, a bullet **will** be discharged, even without the magazine being inserted.



*Unloaded*



*Loaded*

### **Warning:**

It is possible that a live round may remain in the chamber when the magazine has been removed or inserted. **Any round in the chamber will be discharged upon pulling the trigger regardless of whether the magazine is inserted or removed.** Therefore, never leave the pistol unattended, even if the magazine is removed, and exercise extreme caution after removing the magazine. You must personally verify that the chamber is empty before field-stripping the firearm for cleaning or any other reason. **Never place your finger on or near the trigger when operating the slide.**

*The NAA Guardian has no external manual safety lever and no grip safety. It is fired like a double action revolver by firmly and deliberately pulling the trigger. Always keep the firearm unloaded until you are ready to shoot. When the firearm is loaded, do not touch the trigger unless you intend to fire!*

When you are ready to fire the pistol, insert the loaded magazine, bullets facing forward (toward the muzzle), firmly and fully into the magazine well of the pistol until the magazine catch engages ("clicks") and the magazine is locked in place. Confirm by applying slight removal pressure to the exposed portion of the magazine butt plate.

## Firing the Pistol

With your finger outside of the trigger guard and pointing the muzzle in a safe direction, firmly grasp the slide at the serrations and pull the slide rearwards to the limit of its travel. Release the slide completely, enabling the slide to spring forward sharply; this strips a round from the magazine and seats it in the chamber of the barrel, making the pistol ready to fire (the chambered round will be visible through the viewing port between the barrel and the top of the slide). The gun can now be fired by pulling the trigger. Grip the pistol firmly in anticipation of its recoil.

The *Guardian* is double-action-only, and contains no external, manual safeties. This means that the trigger pull will be deliberately firm and uniform for each round fired. Subsequent to a firm trigger pull, a bullet is discharged, the spent case ejected, and a fresh round chambered (to the extent one is available in the magazine). Note: *Dry firing can cause breakage of the firing pin. This may result in an unintentional discharge, or prohibit an intended discharge.* To safely practice trigger pull, insert a spent (fired) case or a commercially available snap-cap into the chamber to cushion the impact of the firing pin.



## Unloading the Pistol

While keeping your finger outside of the trigger guard, and pointing the muzzle in a safe direction, depress the magazine release and remove the magazine. Visually check to ensure that no round remains in the chamber. (See instructions for "Loading the Pistol") Firmly grasp the slide at the serrations and briskly pull the slide rearwards to the limit of its travel to eject any

round or spent cartridge, in the event that one still remains in the chamber.



### Unloading the Magazine

Unfired bullets can be removed from the magazine by gently applying force to the rim (rear) of the cartridge with your finger; gently move the cartridge forward until it springs free from the retaining lips of the magazine.



### Field Stripping

#### Disassembly

Check to ensure that the pistol is not already loaded. (See instructions for "Unloading the Pistol") With the magazine removed, your finger outside of the trigger guard and pointing the muzzle in a safe direction, pull the slide back 1/8" until you can look into the chamber and verify that it is empty; allow the slide to return forward. Eject a round, if one is present, by sharply pulling the slide rearward to the limit of its travel.

For normal cleaning, the **Guardian** need only be disassembled into the following main components:

- Frame
- Slide
- Magazine
- Recoil Spring Assembly



**Do not** disassemble the pistol beyond those components, as doing so could create an unsafe condition and affect your pistol's warranty.



Depress and hold the spring-loaded slide release button, located above the right-side grip assembly beneath the serrations at the rear of the slide. Retract the slide to clear the extractor from the chamber, and lift the slide up 1" at the rear to clear the barrel. Move the slide forward along the length of the barrel and remove it from the frame assembly (at which point the recoil spring assembly will fall clear from the frame).



### Reassembly

*(Notice: The small coiled end of larger recoil spring - marked red - should face toward bridge on slide or muzzle end of pistol when being installed.)*

Insert the smaller diameter inner recoil spring into the larger outer recoil spring, then insert the guide rod into the small end of the outer recoil spring. Insert the complete spring assembly into the grooved, recessed chamber beneath the barrel, spring guide rod forward. Position the slide atop the frame, with the forward bridge of the slide positioned in the channel beneath the barrel, capturing the recoil slide assembly behind it. Move the slide towards the rear and pull the trigger slightly, clearing the top of the hammer from beneath the firing pin retainer. Depress the slide release button and simultaneously apply downward pressure on the slide, releasing the button after the slide has seated. Retract the slide forcefully to ensure positive seating lockup.



*(See photos on next page)*



## Cleaning

It is important that your firearm be kept clean and properly oiled to help ensure safe, reliable functioning. Accumulation of dirt and powder fouling in the breech and chamber areas may affect the functioning of the pistol, causing it to misfeed or misfire. The *Guardian* should be cleaned at regular intervals, depending on the frequency of use. Premium solvents should be applied with brushes and patches to all areas exposed to the action of primer and powder residues, including the bolt face, breech, chamber, extractor, bore and adjacent areas. Gun oil or other similar lubricants should be applied lightly to all moving parts, including the firing pin and areas of the slide subject to friction.

## Warranty & Service

Like the rest of the North American Arms' family of finely-crafted handguns, the *Guardian* is conditionally warranted against defects in materials, workmanship and mechanical function for the life of the product. NAA will repair or replace (at its option) any inoperative *Guardian* firearm returned prepaid to the factory. If you have any questions about your NAA *Guardian*, please call NAA toll-free at 1-800-821-5783.

## Technical Specifications (Standard / Metric)

**Caliber:** 32 ACP / 7.65 Browning

Magazine Capacity: 6

Length: 4.36 inches / 110.74 mm

Height: 3.23 inches / 82.04 mm

Width: .850 inches / 21.59 mm

Weight: (Empty) 13.5 oz. / .385 kg.

(Loaded) 14.8 oz. / .420 kg.

Barrel Length: 2.185 inch / 55.5 mm

Sights: Low profile fixed.

Rifling: 1 in 15 inch / RH, 6 Groove

Trigger Pull: 10 lbs. average

**Caliber:** 380 ACP / 9mm Kurz

Magazine Capacity: 6

Length: 4.75 inches / 120.65 mm

Height: 3.53 inches / 89.66 mm

Width: .930 inches / 23.62 mm

Weight: (Empty) 18.72 oz. / .530 kg.

(Loaded) 20.80 oz. / .590 kg.

Barrel Length: 2.49 inch / 63.12 mm

Sights: Low profile fixed.

Rifling: 1 in 15 inch / RH, 6 Groove

Trigger Pull: 10 lbs. average

**Caliber:** 32NAA

Magazine Capacity: 6

Length: 4.75 inches / 120.65 mm

Height: 3.53 inches / 89.66 mm

Width: .930 inches / 23.62 mm

Weight: (Empty) 18.72 oz. / .530 kg.

(Loaded) 20.80 oz. / .590 kg.

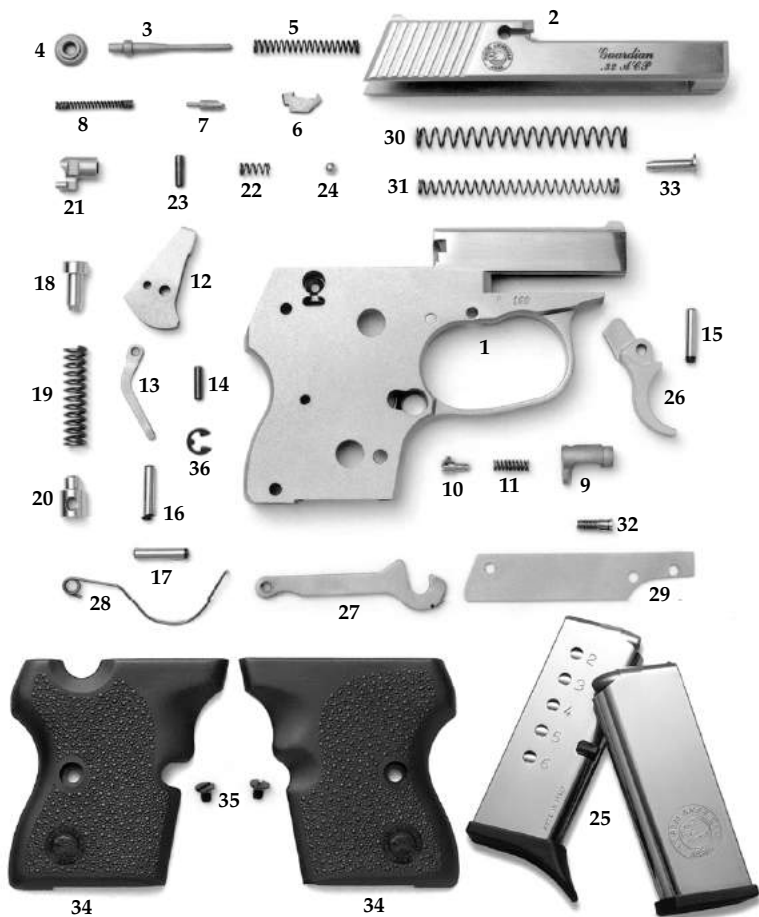
Barrel Length: 2.49 inch / 63.12 mm

Sights: Low profile fixed.

Rifling: 1 in 15 inch / RH, 6 Groove

Trigger Pull: 10 lbs. average

## 32/380/32NAA Guardian Parts Numbers



**N.A.A. 32/380/32NAA Guardian Parts List**

\*(1) Not for sale

\*(2) Requires factory installation

\*(3) Sold as assembly / set

32 Part # 32xxx-x

380/32NAA Part # 38xxx-x

*(u) Universal part applies to all  
Guardian models*

No.	Qty.	Part #	Description
1	1	32001/38001	Frame (1)
2	1	32002-1/38002-1	Slide (2)
3	1	32002-2/38002-2	Firing Pin
4	1	32002-3 (u)	Firing Pin Retainer
5	1	32002-4/38002-4	Firing Pin Spring
6	1	32002-5-1/38002-5-1	Extractor
7	1	32002-5-2/38002-5-2	Extractor Plunger
8	1	32002-5-3/38002-5-3	Extractor Plunger Spring
9	1	32003-1/38003-1	Clip Release Body
10	1	32003-2 (u)	Clip Release Retainer
11	1	32003-3/38003-3	Clip Release Spring
12	1	32004-1 (u)	Hammer
13	1	32004-2 (u)	Hammer Push Rod
14	1	32004-3 (u)	Hammer Push Rod Spring Pin
15	1	32032 (u)	Rubber Washer
16	1	32005-2/38005-2	Hammer Pin
17	1	32005-3/38005-3	Main Spring Pin
18	1	32006 (u)	Hammer Spring Follower

19	1	32007/38007	Hammer Spring
20	1	32008-1/38008-1	Main Spring Plug
21	1	32009/38009	Slide Release Button (2)
22	1	32010 (u)	Slide Release Button Spring (2)
23	1	32011 (u)	Slide Release Spring Pin (2)
24	1	32011-1 (u)	Slide Release Bearing (2)
25	1	32012/38012	Magazine Assembly (3)
26	1	32013/38013	Trigger
27	1	32014/38014	Drawbar
28	1	32015 (u)	Drawbar Spring
29	1	32016/38016	Cover
30	1	32017/38017	Recoil Spring Large
31	1	32018/38018	Recoil Spring Small
32	1	32024/38024	Cover Bolt
33	1	32026 (u)	Guide Rod
34	2	32020/21 • 38020/21	Grips
35	2	32022 (u)	Grip Screws
36	1	32024-2	E Clip
37	1	32020-R/38020-R	ILS Right Grip Panel
38	1	32033/38033	ILS Body
39	1	32033-1 (u)	ILS Screw
40	1	32033-2 (u)	ILS Key

**NORTH AMERICAN ARMS, INC.**

2150 SOUTH 950 EAST  
 PROVO, UTAH 84606-6285  
 1-(801)-374-9990  
 1-(800)-821-5783

[www.northamericanarms.com](http://www.northamericanarms.com)