

CARBINES, MACHINE, STEN, 9mm. Mks. I, II & III

ILLUSTRATED IDENTIFICATION LIST

C.O.D.
(Technical Branch)
WEEDON

August, 1942

CARBINES, MACHINE, STEN 9 mm.

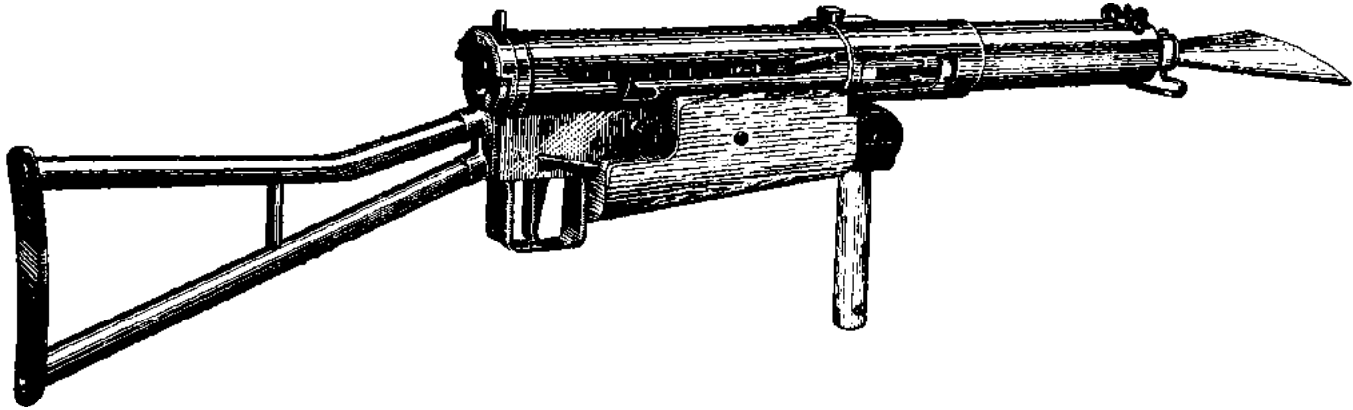
FOREWORD.

The following illustrations show components applicable to Mk. I, II, and III Carbines, with key to patterns of Carbines to which they may be assembled.

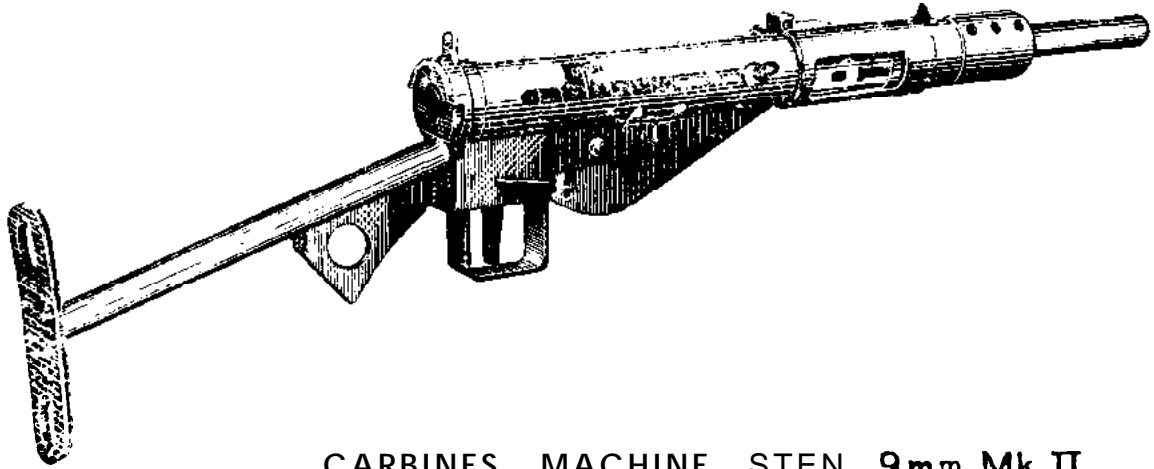
For guide to easy reference, it is pointed out that the components of these weapons are arranged in Group order, numerical sequence being followed in each grouping.

The following shows the Group and appropriate Page numbers :--

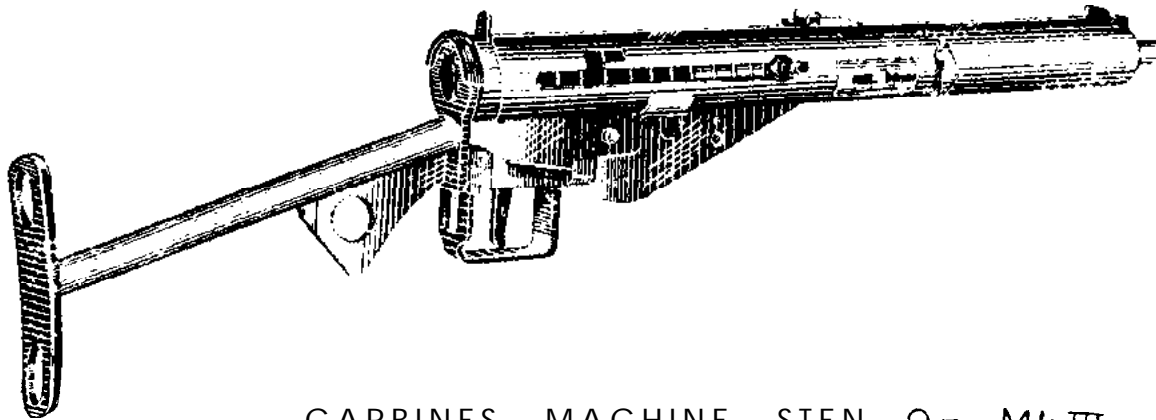
Butt group	Page 7
Body and sight group	Page 9
Hand guard group	Page 11
Magazine housing group	Page 13
Breech block group	Page 15
Trigger mechanism group	Page 17
Barrel group	Page 19
Magazine group	Page 21
Accessories	Page 22



CARBINES, MACHINE, STEN, 9 mm . Mk . I .



CARBINES. MACHINE. STEN. 9mm. Mk. II.



CARBINES, MACHINE, STEN, 9mm Mk III.

CAT. NO.

DESIGNATION.

REMARKS.

BE 9952

Butts, Mk. II

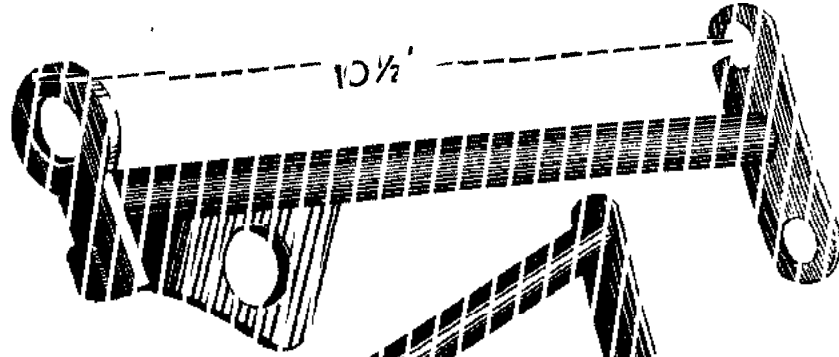
For Mks. II and III Carbines.

BE 9958

Butts, Mk. I, No. 2

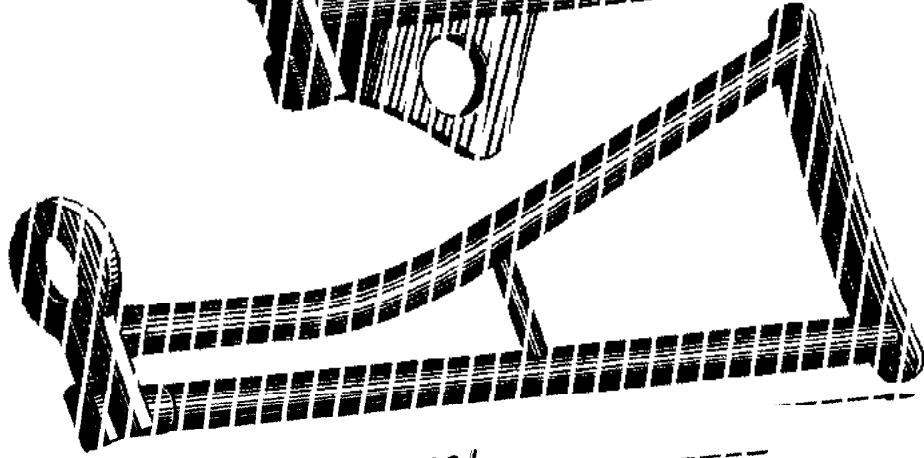
For Mk. I Carbines.

31.9952



10 1/2'

31.9958



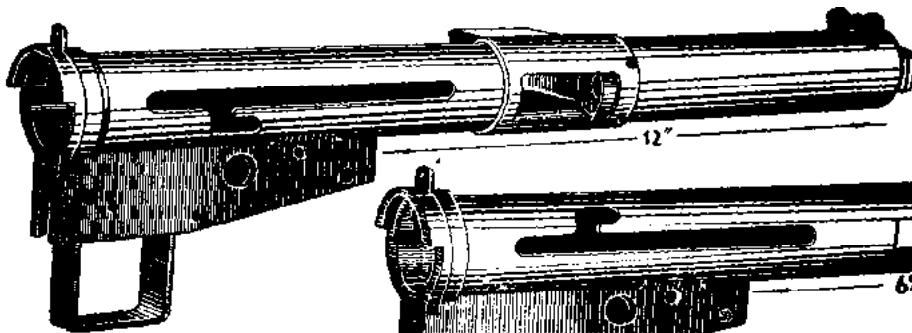
12'

CAT. NO.

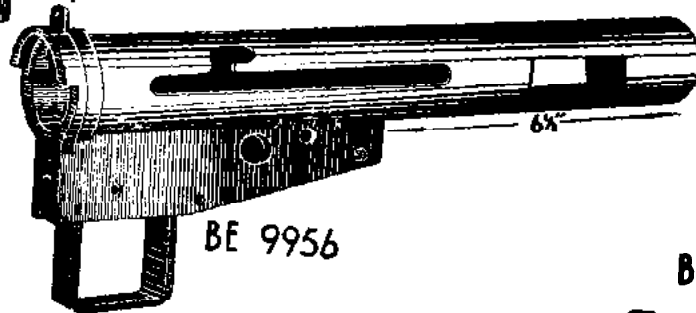
DESIGNATION.

REMARKS.

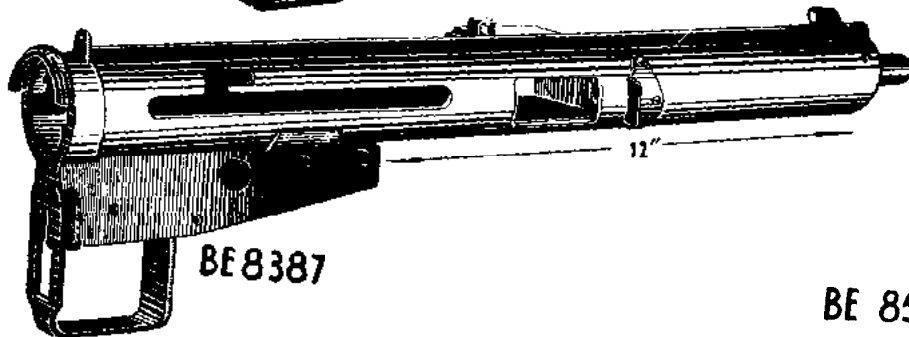
BE 8387	Tubes, casing, Mk. III	For Mk. III Carbines.
BE 9955	Tubes, casing, Mk. I	For Mk. I Carbines.
BE 9956	Tubes, casing, Mk. II	For Mk. II Carbines.
	Foresights :—	
BE 9963	No. 1 (Height of blade from base .53-in.)	For Mk. II Carbines.
BE 8579	No. 2 (Height of blade from base .56-in.)	For Mk. II Carbines.
BE 8580	No. 3 (Height of blade from base .59-in.)	For Mk. II Carbines.



BE 9955



BE 9956



BE 8387

BE 9963



BE 8579



BE 8580



CAT. NO.

DESIGNATION.

REMARKS.

BE 8383

Covers, trigger mechanism, Mk. II

For Mk. II and III Carbines.

BE 9069

Carriers, grip

For Mk. I Carbines.

BE 9074

Grips

For Mk. I Carbines.

BE 9077

Guards, hand

For Mk. I Carbines.

BE 9086

Screws, carrier, grip, long

For Mk. I Carbines.

BE 9087

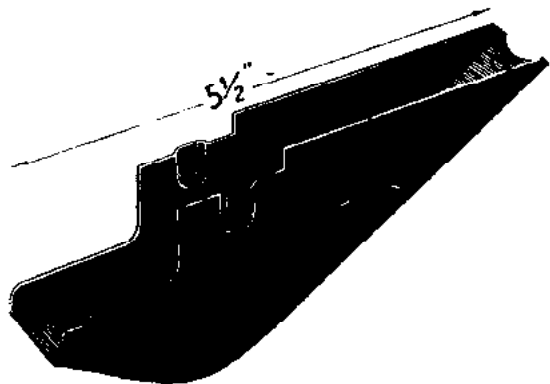
Screws, carrier, grip, short

Also for Hand guard. For Mk. I
Carbines.

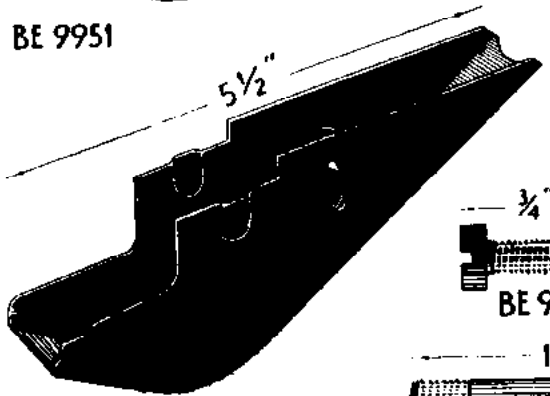
BE 9951

Covers, trigger, mechanism, Mk. I

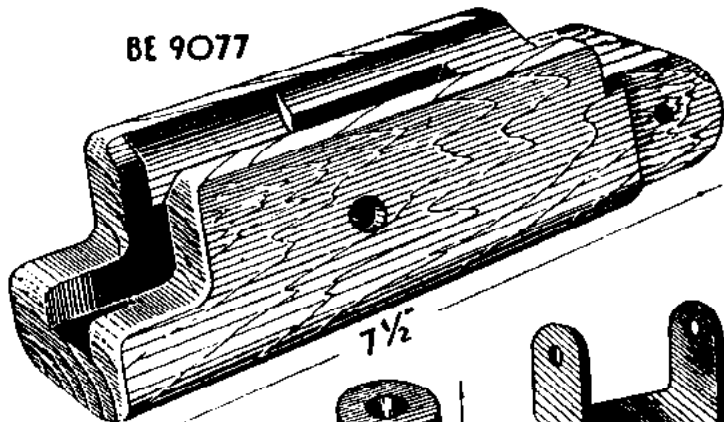
For Mk. II Carbines.



BE 9951



BE 8383

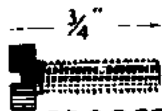


BE 9077

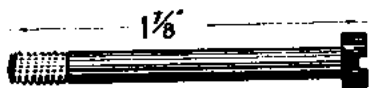
BE 9074



4"



BE 9087



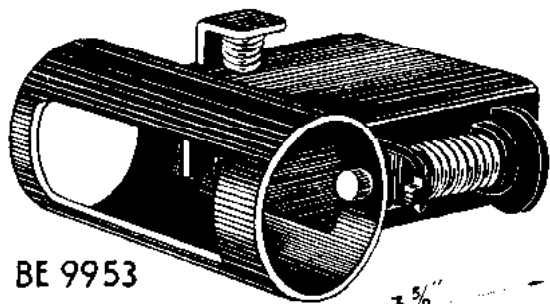
BE 9086



BE 9069

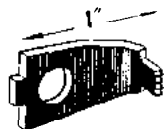
5 1/2"

CAT. NO.	DESIGNATION.	REMARKS.
BE 8384	Catches, magazine, Mk. II	For Mks. I, II, and III Carbines.
BE 8388	Rivets, ejector	For Mk. III Carbines.
BE 9070	Catches, magazine, Mk. I (complete with stud)	For Mks. I, II and III Carbines.
BE 9071	Ejectors	For Mks. I and III Carbines.
BE 9089	Screws, ejector	For Mk. I Carbines. Also for trigger mechanism cover and magazine catch retainer on Mk. II Carbines.
BE 9093	Springs, catch, magazine	For Mks. I, II and III Carbines.
BE 9953	Housings, magazine, Mk. II (with magazine catch and plunger assembled)	For Mk. II Carbines.
BE 9959	Washers, screw, ejector	For Mk. I Carbines. Also for trigger mechanism cover screw and magazine catch retainer screw on Mk. II Carbines.
BE 9962	Catches, nut, barrel	For Mk. II Carbines
BE 9967	Plungers, housing, magazine	For Mk. II Carbines.
BE 9968	Retainers, catch, magazine	For Mk. II Carbines.
BE 9969	Springs, plunger, magazine housing	For Mk. II Carbines.



BE 9953

3 3/8"

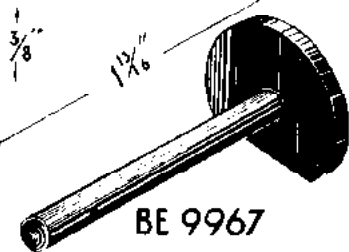


BE 9962

1 3/16"



BE 9969



BE 9967



BE 8388

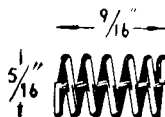


BE 9089

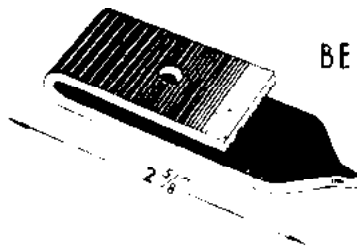
3/8"



BE9959

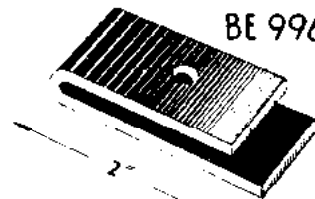


BE9093



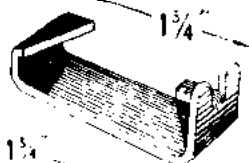
BE 9071

2 5/8"



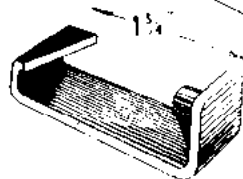
BE 9968

2"



BE 8384

1 3/4"



BE 9070

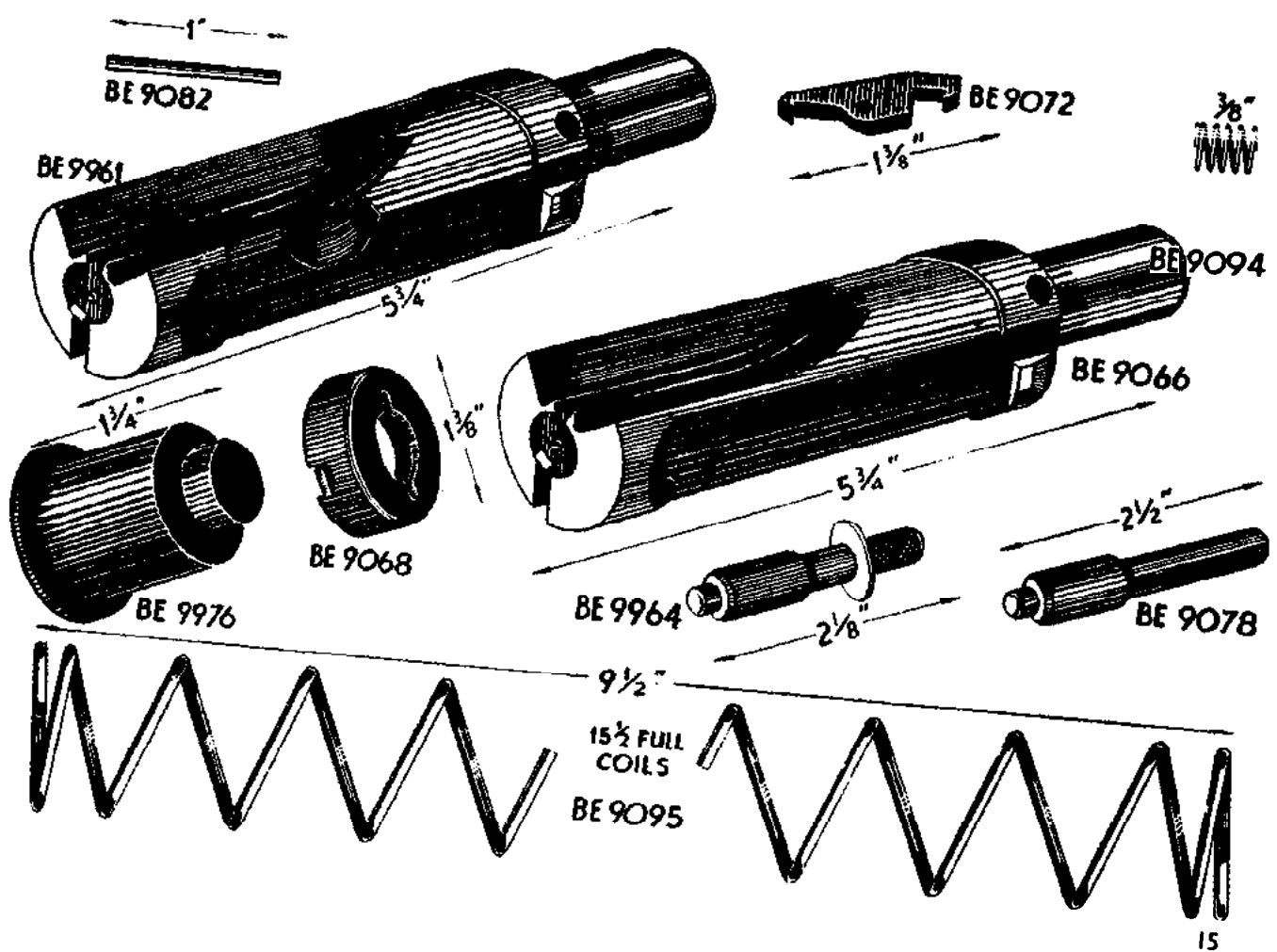
1 3/4"

CAT. NO.

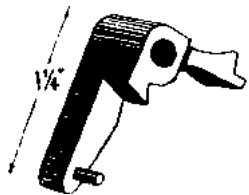
DESIGNATION.

REMARKS.

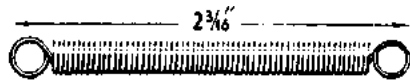
BE 9066	Blocks, breech, Mk. I (with extractor ; spring and pin assembled)	For Mk. I Carbines.
BE 9068	Caps, spring, return	For Mks. I, II and III Carbines.
BE 9072	Extractors	For Mks. I, II and III Carbines.
BE 9078	Handles, cocking, Mk. I	For Mk. I Carbines.
BE 9082	Pins, extractor	For Mks. I, II and III Carbines.
BE 9094	Springs, extractor	For Mks. I, II and III Carbines.
BE 9095	Springs, return	For Mks. I, II and III Carbines.
BE 9961	Blocks, breech, Mk. I* (with extractor ; spring and pin assembled)	For Mks. I, II and III Carbines.
BE 9964	Handles, cocking, Mk. II	For Mks. I, II and III Carbines.
BE 9976	Housings, spring, return	For Mks. I, II and III Carbines.



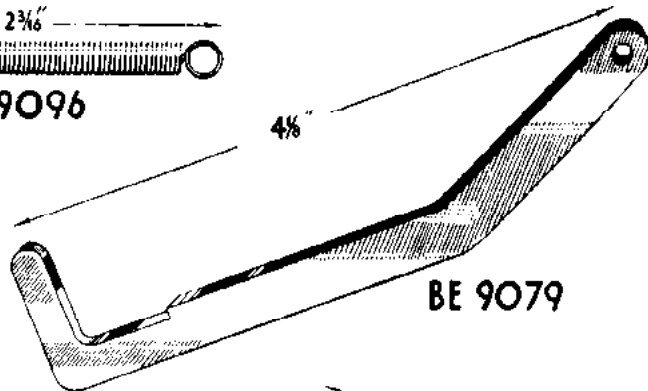
CAT. NO.	DESIGNATION.	REMARKS.
BE 8575	Levers, change (with spring and balls assembled)	For Mks. I, II and III Carbines.
BE 9079	Levers, tripping	For Mks. I, II and III Carbines.
BE 9080	Pawls, lever, tripping	For Mks. I, II and III Carbines.
BE 9081	Pins, axis, sear	For Mks. I, II and III Carbines.
BE 9083	Pins, lever, tripping	Also for tripping lever pawl. For Mks. I, II and III Carbines.
BE 9085	Pins, trigger	For Mks. I, II and III Carbines.
BE 9092	Sears, Mk. I (with pin)	For Mks. I, II and III Carbines.
BE 9096	Springs, trigger	For Mks. I, II and III Carbines.
BE 9098	Triggers	For Mks. I, II and III Carbines.
BE 9966	Pins, split, lever, change ($\frac{3}{32}$ -in. dia. \times $\frac{1}{4}$ -in. long)	For Mks. I, II and III Carbines. Also for magazine housing plunger on Mk. II Carbines.



BE 9092



BE 9096



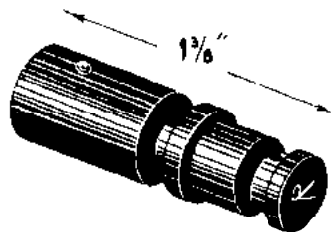
BE 9079



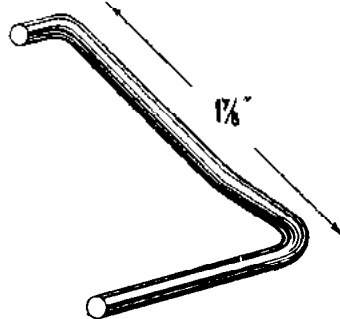
BE 9966



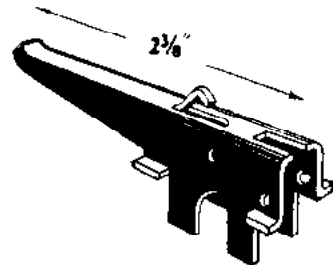
BE 9081



BE 8575



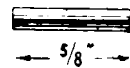
BE 9085



BE 9098



BE 9080



BE 9083

CAT. NO.**DESIGNATION.****REMARKS.**

BE 8573

Screws, fixing barrel

For Mk. I Carbines.

BE 8576

Pins, fixing barrel

For Mk. II Carbines.

BE 9065

Barrels, Mk. I

For Mk. I Carbines.

BE 9073

Eliminators, flash (complete with sling swivel)

For Mk. I Carbines.

BE 9097

Swivels, sling

For Mk. I Carbines.

BE 9960

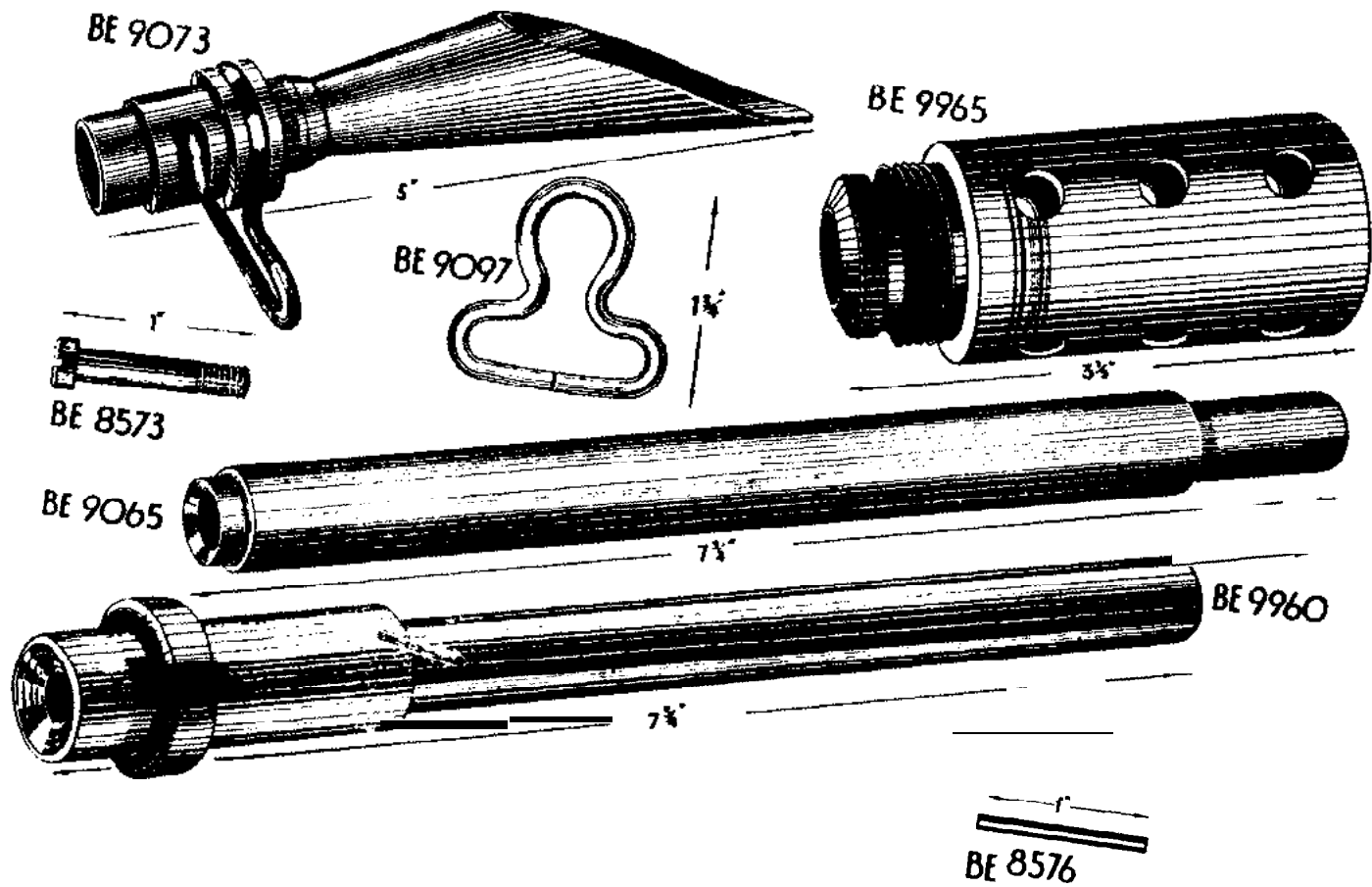
Barrels, Mk. II (complete with sleeve and pin)

For Mk. II Carbines.

BE 9965

Nuts, barrel

For Mk. II Carbines.



CAT. NO.

DESIGNATION.

REMARKS.

BE 8345

Cases, magazine.

BE 9099

Magazines, machine, carbine 9 mm. 32rd. Mk. I.

BE 9979

Plates, bottom.

BE 9988

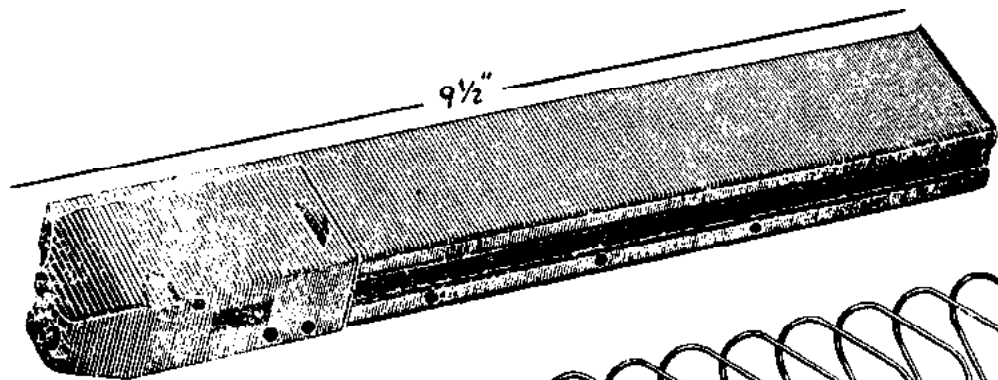
Platforms, Mk. II.

BE 9989

Retainers, plate, bottom.

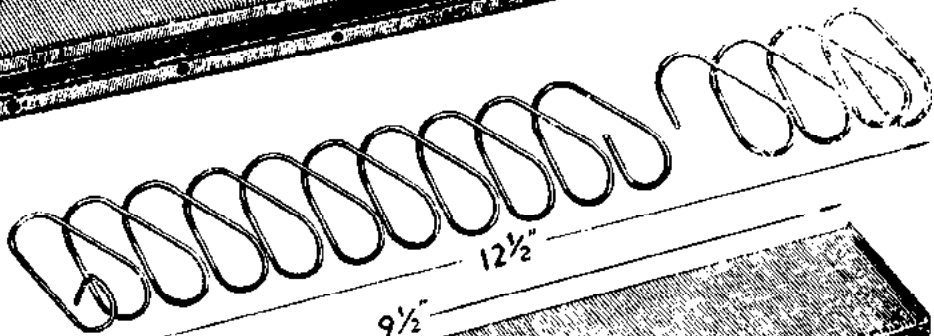
BE 9992

Springs, platform, Mk. I.



BE 8345

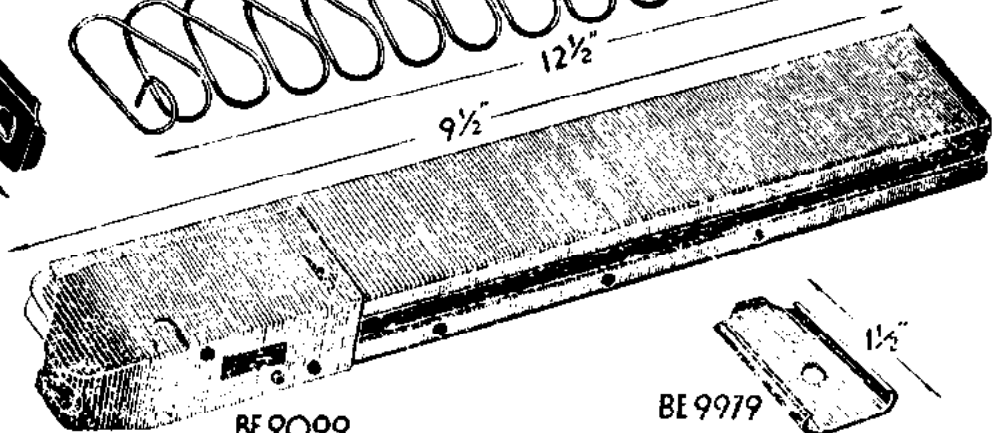
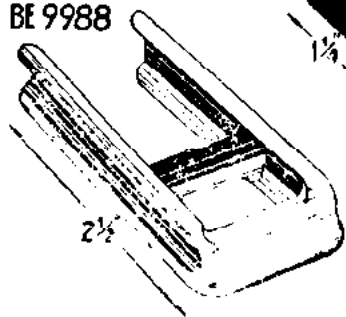
26 FULL COILS
BE 9992



BE 9989



BE 9988



BE 9099

BE 9979



CAT. NO.

DESIGNATION.

REMARKS.

BE 8322

Fillers, magazine, 9 mm. machine, carbine 32rd. Mk. II.

BE 8574

Slings, carbine, machine, Sten, 9 mm.

For Mks. II and III Carbines.

—

Pullthroughs

To be demanded as :—" Pullthroughs,
Single Mk. IV, ' B ' ' (Section B.1).
(Cat. No. BB 0518.)

—

Bottles, oil

To be demanded as :—" Bottles, Oil,
Mk. V " (Section B.1). (Cat. No.
BA 6320.)

—

Gauze

To be demanded as :—" Pullthroughs
—Gauze " (Section B.1). (Cat. No.
BB 0521.)

—

Slings

For Mk. I Carbines. To be demanded
as :—" Slings, Rifle, web " (Section
A.1). (Cat. No. AA 1657.)

