



STOEGER
LUGER

.22 L.R. CAL. AUTOMATIC PISTOL

**INSTRUCTION
BOOKLET
&
SERVICE
MANUAL**



STOEGER Arms Corporation
55 Ruta Court
S. Hackensack, New Jersey 07606

Congratulations . . . on your

selection of a Luger .22 caliber automatic pistol.

More than three years of intensive research and testing have gone into the development of this handgun and we are confident that it is the finest .22 caliber automatic pistol that money can buy. Every component, down to the smallest spring, has been matched to a raw material and fabricating technique that will result in the greatest reliability. The frame, or body of the pistol, is made from a *forged* lightweight alloy that has a tensile strength of 82,000 psi. This is entirely *machined* after forging and joined to a solid steel barrel that is hammer rifled. Other components are also made from high quality steels matched in strength and hardness

to their particular functions. All moving parts place steel against steel.

Features of this new Luger design were created to eliminate faults that were evident in the original German Luger* pistol. Thus, in the Stoeger Luger you will find stationary target-type sights, a much crisper trigger pull, and a positive safety device. Takedown and maintenance procedures are also vastly improved and simplified.

To obtain the best possible performance from this handgun, please be sure to read this instruction booklet from cover to cover. ABOVE ALL, PLEASE BE SURE TO READ AND PRACTICE OUR RECOMMENDED SAFETY PROCEDURES.

*The Stoeger Luger is made in the U.S.A.

GUARANTEE LIMITATIONS: Stoeger Arms Corporation cannot be held responsible for damage or injuries resulting from misuse, neglect or accident. Be sure to read these instructions carefully!

IN THE EVENT OF MECHANICAL DIFFICULTY, pack your gun carefully, in a heavy cardboard box, and ship it to Stoeger at the address indicated. Write an accompanying letter clearly stating your complaint, place it in an envelope and ATTACH IT TO THE OUTSIDE OF YOUR PACKAGE. Because Stoeger is a bonafide, federally licensed firearms manufacturer and dealer you may ship your handgun via *insured*, prepaid, railway express.

FOR REPAIRS UNDER GUARANTEE, send your Luger to Stoeger Arms Corporation IF you reside EAST OF THE ROCKY MOUNTAINS. Luger owners who live WEST OF THE ROCKIES can send their

Lugers to Micro Gun Sight Company, 242 Harbor Blvd., Belmont, California.

FOR REPAIRS NOT COVERED BY OUR GUARANTEE the Luger owner is directed to any of the following AUTHORIZED LUGER SERVICE STATIONS:

Stoeger Arms Corporation
55 Ruta Court
South Hackensack, New Jersey 07606

Williams Gun Sight Co.
"On the Range"
Davison, Michigan 48423

The Gun Rack
1507 31st Street N.W.
Birmingham, Alabama 35221

Dave Cook Sporting Goods
1601 Larimer Street
Denver, Colorado 80202

Micro Gun Sight Co.
242 Harbor Blvd.
Belmont, California 94002

Davidson Supply Co.
317 South Greene St.
Greensboro, North Carolina 27402

N. F. Strebe Gun Works
4926 Marlborough Pike, S. E.
Washington, D.C. 20027

Oshman's Sporting Goods
912 Main Street
Houston, Texas 77023

Southern Gun Distributors
251 S.W. 22nd Avenue
Miami, Florida 33135

IMPORTANT SAFETY PROCEDURES

1. **WHEN LOADING THE CHAMBER:** be sure to point the gun in a safe direction.
2. **DO NOT CHARGE THE CHAMBER** until you are ready to use the pistol.
3. **ALWAYS EMPLOY THE SAFETY DEVICE WHEN THE CHAMBER IS LOADED.** The safety should only be dis-engaged immediately prior to shooting.
4. **WHEN STORING THE FIREARM, MAKE SURE THE CHAMBER IS EMPTY.** (If used as a weapon for self-defense, load the magazine and insert it in the gun, but, **do not** activate the bolt to load the chamber.)
5. **BE CAREFUL TO AVOID DROPPING A LOADED PISTOL** (a handgun must be designed to fire un-

der the slight pressure exerted by the trigger finger. For this reason the engaging surfaces of the firing mechanism must be adjusted to close tolerances. The energy created by a falling handgun can, upon impact, easily cause dislodgement of these engaging surfaces and subsequent discharge of the loaded firearm.)

6. **DO NOT POINT A FIREARM AT ANYTHING YOU DO NOT INTEND TO SHOOT.**
7. **BE CAREFUL OF YOUR BACKSTOP:** know where the bullet will terminate its flight if it should miss the target.
8. **DO NOT SHOOT AT THE SURFACE OF WATER OR AT HARD SURFACES, SUCH AS ROCKS, ETC.** (such surfaces will invariably cause erratic ricochets).

OPERATION OF THE LUGER PISTOL

1. Remove magazine by pressing magazine release button (A) with right thumb and by pulling on magazine extension (B) with left thumb and forefinger.
2. To load magazine, grasp it with the left hand so that the thumb can be used to pull down on the magazine-follower button (C).
3. With the right hand, insert .22 long rifle cartridges into the magazine by placing rear, rimmed surface of each cartridge in the magazine notch (D) and sliding cartridge rearward into the magazine. (Total capacity of the magazine is eleven cartridges.)
4. With bullet ends of cartridges facing towards the muzzle slide the loaded magazine into the magazine-well of the pistol grip. Push upward until the magazine "clicks" into its locked position.
5. While the magazine is now loaded, the gun cannot be made to fire until a cartridge from the magazine is fed into the chamber of the barrel. To accomplish loading of the chamber, hold the handgun in a firing attitude with the right hand (being careful to point it in a safe direction) and grasp the toggle buttons (E) between the thumb and forefinger of the left hand. Then pull upward and rearward until the toggle reaches its rearmost position (see figure 11). Now, upon releasing the toggle, the spring activated bolt will slide forward, picking up a cartridge from the magazine and loading it into the chamber. **UNTIL READY TO FIRE, PUT THE SAFETY LEVER (S) INTO THE "ON" POSITION (as illustrated) AT THIS POINT.**
6. **TO FIRE:** assume a shooting stance facing in the general direction of your target. Then, as you

point the gun toward your target, use your right thumb to slide the safety lever into the (F) FIRE position.

7. Align the sights so that the front blade is centered in the rear sight notch. (The top of the front sight should be level with the top of the rear sight). With the sights thus aligned, center them carefully *under* the bulls-eye. Hold this position as steadily as possible while squeezing the trigger.

NOTE: Luger sights are factory regulated to "zero" at fifty feet.

8. **IMPORTANT:** when the first shot is fired, the Luger will reload itself automatically and will continue to fire with each squeeze of the trigger. When the magazine has been emptied the bolt will remain in its open position with the toggle

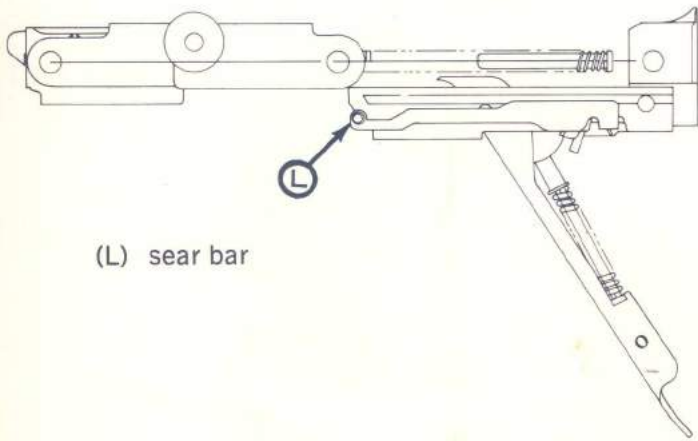
raised. **WHENEVER THE BREECH IS CLOSED ASSUME THE CHAMBER IS LOADED AND THAT THE WEAPON IS IN A FIRING ATTITUDE. BE SURE TO EMPLOY THE SAFETY DEVICE.**

9. Because the breech will remain open when the last shot is fired, it is possible to remove the magazine, insert another loaded magazine, and simply close the breech to resume shooting.

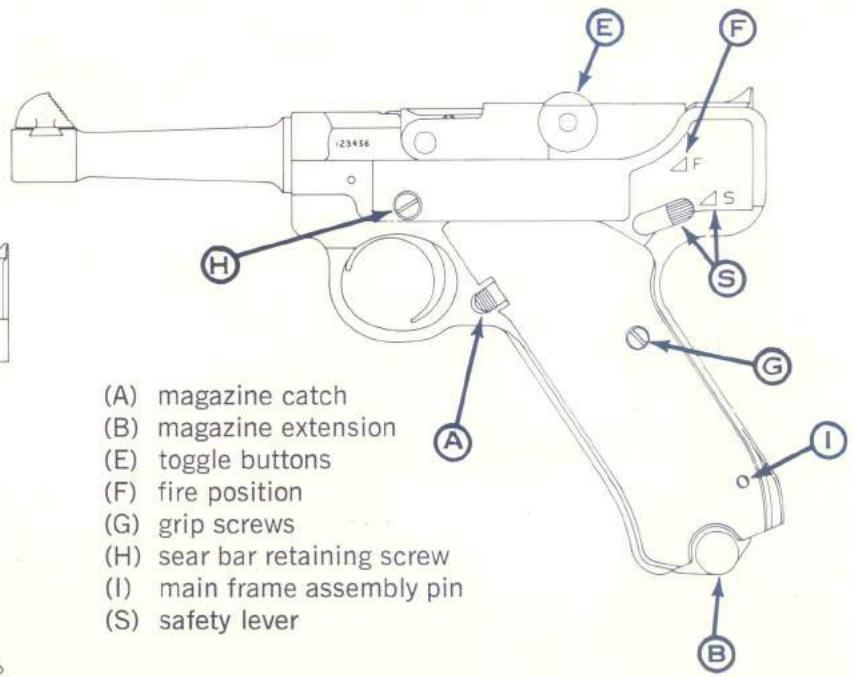
AMMUNITION:

The Stoeger Luger will handle all makes of .22 Long Rifle cartridges, both standard and high-velocity. It should not be used with B-B Caps, C-B Caps, shorts, longs or shot cartridges, however, it can be made to fire these shells when they are singly loaded into the chamber.

SCHEMATICS OF LUGER COMPONENTS:

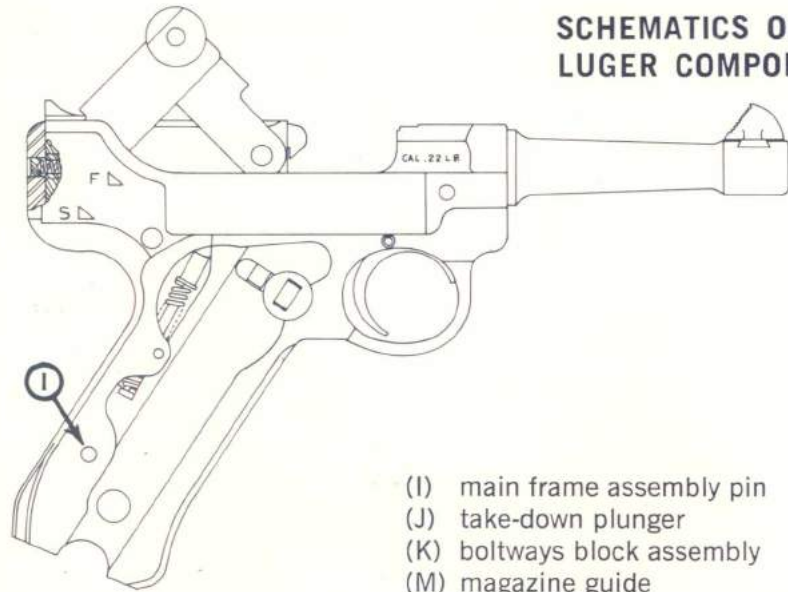


(L) sear bar

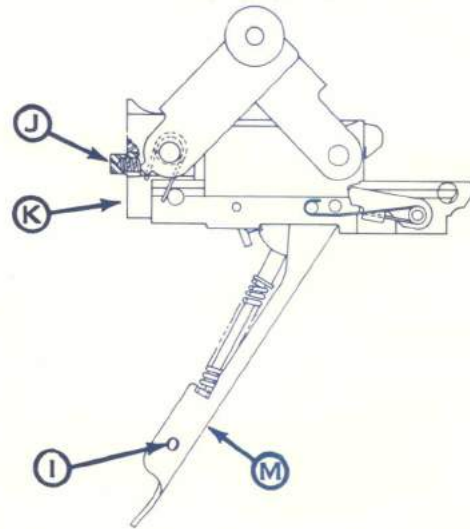


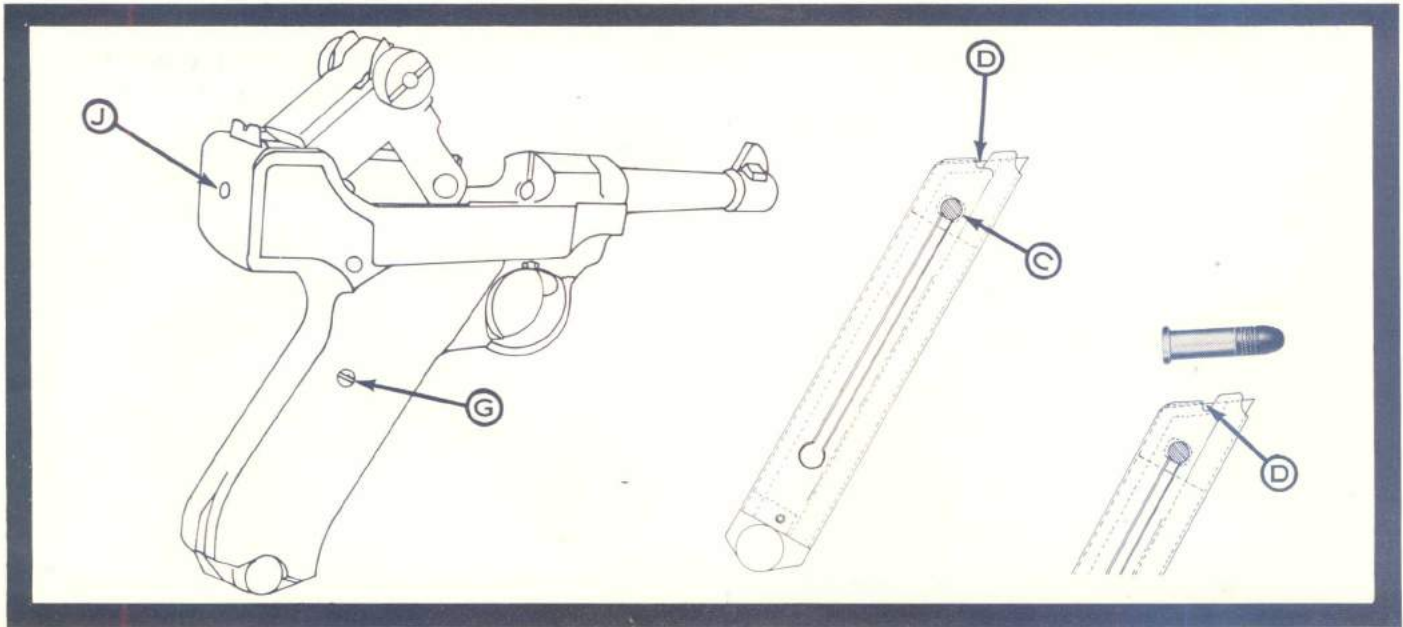
- (A) magazine catch
- (B) magazine extension
- (E) toggle buttons
- (F) fire position
- (G) grip screws
- (H) sear bar retaining screw
- (I) main frame assembly pin
- (S) safety lever

SCHEMATICS OF LUGER COMPONENTS:



- (I) main frame assembly pin
- (J) take-down plunger
- (K) boltways block assembly
- (M) magazine guide





CLEANING AND MAINTENANCE:

The unique design of your Luger pistol greatly simplifies normal cleaning and lubricating procedures. It's greatly advanced unit construction will enable the user to clean the entire firing mechanism by simply soaking in kerosene. A soft bristle brush can be used with kerosene to remove stubborn dirt or powder deposits. **DO NOT USE COARSE WIRE BRUSHES.**

The take-down plunger hole (J) located at the back of the frame, is directly in line with the bore of the barrel. For this reason the bore can be cleaned by inserting a rod through the plunger hole. Damage to the rifling and possible loss of accuracy is thereby prevented. (Never clean a rifled barrel from the muzzle end if it can possibly be cleaned from the opposite end.)

After cleaning and drying the kerosene-washed parts, oil moving surfaces *lightly* with a good grade

of *gun oil*. Do not use general purpose oils or automotive oils because these tend to harden and gum when mixed with gun-powder deposits.

DO NOT USE STRONG SOLVENTS when cleaning the firing mechanism. Solvents are intended only for removing fouling from the barrel bore and should be carefully rinsed from all surfaces immediately after use.

To clean the barrel, use a soft bristle brush that has been moistened with kerosene. Dry carefully with flannel patches and oil very, very lightly with a good gun oil. To remove heavy fouling, brush with a solvent or special bore cleaner intended for this purpose **BUT BE CAREFUL TO RINSE ALL TRACES OF THE CLEANING AGENT FROM THE BORE IMMEDIATELY AFTER USE.** Also be sure to oil the bore lightly after rinsing.

(Continued on following page)

PREPARING THE GUN FOR STORAGE: after thorough cleaning swab all metal surfaces generously with a preservative grease. (Be careful to remove all traces of grease from the bore before subsequent use.)

Wrap the greased weapon in heavy paper and seal all openings. Some shooters find that a plastic bag or flannel lined carrying case is ideally suited for storage purposes.

DISASSEMBLY OF THE LUGER PISTOL:

1. Open breech by activating toggles (E). With empty magazine in place, breech will remain in open position.
2. Remove magazine by depressing release button (A) located on left side immediately behind the trigger.
3. Remove grip screws (G) and wooden grip panels from both sides of the gun. To avoid damaging, the screw heads use a screwdriver of the proper size.
4. Remove sear bar retaining screw (H) which is located on the left side immediately above the trigger.
5. With a pin punch of the proper size remove main frame assembly pin (I) which is located at the bottom, rear portion of the grip. All pins should be punched out from left-to-right and installed right-to-left.
6. Place safety in "FIRE" position.
7. Close the toggle mechanism and depress take-down plunger (J) at the back of the frame beneath rear sight.

8. Grasp toggle mechanism with left thumb and forefinger and lift up gently. IMPORTANT — the spring-activated takedown plunger (J) can fly free as the inner mechanism clears the frame be sure to cup your right hand over this area to catch the plunger and spring.

DO NOT DISASSEMBLE FURTHER: the above-described field stripping procedure renders all surfaces available to cleaning and lubricating — no further take-down is necessary.

ASSEMBLING THE LUGER:

1. Insert takedown plunger and spring (J) in rear of boltways block assembly (K).
2. Hold gun in right hand so that the right thumb

can depress the magazine catch (A). With the left hand grasp the firing assembly between the left thumb and middle finger so that the palm of the left hand is laying over the top of the toggles. Insert this unit into the frame by sliding the magazine guide (M) into the grip well. When the takedown plunger (J) nears the receiver, position the lower half of the takedown plunger button against the inner top surface of the rear receiver wall. By applying pressure with the left hand it is possible to compress the takedown plunger (J) against its spring and a slight downward slap, with the palm of the hand, will seat the entire firing apparatus. When properly seated the takedown plunger should extend into its recess in the rear wall of the frame.

3. Move trigger slightly rearward and press down lightly on the sear bar (L). The sear bar must

(Continued on following page)

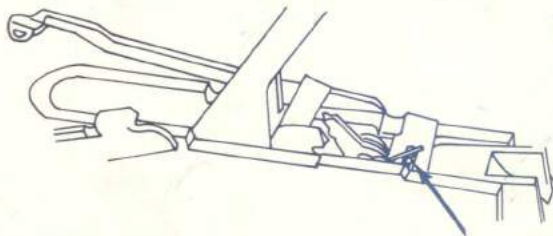
engage the trigger and, when properly installed, the sear bar pin will engage the corresponding hole in the sear bar. (See "Note" below).

4. Screw in sear bar retaining screw (H) until it comes to a stop against the sear bar. DO NOT USE FORCE, this should be a light, snug fit.
5. Turn the gun around so that you are looking at the right side of the grip. Now insert an EMPTY magazine in the grip — this will aid in positioning the magazine guide holes (I). With a little pressure on top of the toggles, the holes will easily align themselves so that the main frame pin can be installed by finger pressure, from right to left. The frame pin should be fitted so that it protrudes equally from both sides of the frame.
6. Open the toggle mechanism. If the gun is properly assembled the toggle will remain in the open position. Then remove magazine and activate toggle again so that the action closes.

Test the completed assembly further by putting the safety in the ("S" position) and trying the trigger. IT MUST NOT "FIRE" IN THIS POSITION! Now, move safety to "FIRE" position (being careful that chamber is empty) and, again, try the trigger.

When satisfied that the firearm is in good working order re-install the grips, using grip screws (G).

NOTE: If the sear bar should become separated from the firing assembly it can easily be re-installed by positioning its rearmost pin under the arm of its coil spring, as indicated in the following diagram:



PRECAUTIONS FOR THE FIREARMS OWNER

1. **KEEP FIREARMS OUT OF THE REACH OF CHILDREN** and out of the hands of irresponsible or incompetent persons.
2. Do not store a loaded gun.
3. Be sure to engage the safety whenever the chamber is loaded.
4. Do not drop a loaded firearm.
5. Do not attempt to use any but the recommended sizes of cartridges.
6. Whenever an unusual report is heard upon firing, stop shooting immediately; empty the chamber and remove the magazine. Check for a spent bullet lodged in the barrel, a ruptured casing or other signs of a malfunction.
7. Be careful to avoid plugging the barrel bore with mud, snow, dirt or overlooked cleaning patches. These can easily cause the barrel to bulge if the weapon is fired in that condition.
8. Never, never attempt to clear an obstruction from the bore by firing the gun.
9. The acids and salts commonly resulting from perspiring hands can induce a rapid rusting action. Be sure to wipe firearms clean with a lightly oiled cloth after handling.
10. Never use force when cleaning, dis-assembling or re-assembling your Luger pistol.
11. **NEVER LEND A FIREARM** (The law will frequently hold the owner responsible if the weapon should be mis-used.)

Born in America Now Made in America



Actually, the Luger is as American as apple pie. It was originally designed by an American, Hugo Borchardt, who tried to market it in the United States. No sale. So, being enterprising, he sold the idea to a German firm where George Luger came up with the Luger design as we know it. Stoeger popularized this model in America! And now — thanks to modern engineering and manufacturing methods — it says "Made in America" on the Luger. Some of the features we've shown above just don't exist on other side-arms. Luger's reputation as the most accurate and reliable sporter around is no accident. Police departments have realized that and many are now using the Luger as a training weapon.

Your Stoeger dealer has Stoeger's Service Guarantee

Manufactured by

Stoeger Arms

55 Ruta Court, S.
Hackensack, N. J. 07606