



SEMI-AUTOMATIC PISTOLS



WARNINGS AND INSTRUCTION MANUAL

MANUAL FOR TANFOGLIO SEMIAUTOMATIC FIREARMS

9mm | .40 S&W | .38 SA | .45 ACP | 10 mm | .32 ACP | .380 ACP | .22 LR CALIBERS
FULL | COMPACT | CARRY SIZE
BLUE | CHROME FINISHINGS
STEEL | PLASTIC FRAME

IMPORTANT!
READ THESE WARNINGS AND INSTRUCTIONS
BEFORE USING FIREARM!!

Note:
WARNING!

If you have a Chrome finish Model
you must oil and maintain it as if it was Blue Steel.

WWW.TANFOGLIO.IT

COME TO VISIT OUR WEB SITE TO:

- CONTACT US
- GET NEWS ABOUT US IN “TEAM TANFOGLIO” AREA
- DOWNLOAD EXPLODED VIEWS OF OUR PRODUCTS
- BUY ACCESSORIES FOR YOUR PISTOL OR TANFOGLIO SPORTSWEAR IN “SHOP ON LINE” AREA
- RECEIVE OUR NEWSLETTER

FOR YOUR SAFETY AND THE SAFETY OF OTHERS, this owner's manual contains important warnings, instructions and safety procedures which must be understood BEFORE using this firearm. Read the **ENTIRE MANUAL** and if you do not understand any part of it or the operation of your pistol, stop and seek professional firearms instruction. You can get a copy of this manual from FRATELLI TANFOGLIO S.N.C. upon request.

Record the serial number of your firearm (located on the receiver):

#

and a description of it:

Make a copy of this manual, proof of purchase/sales record for safekeeping in a secure safe or fireproof container. Such proof is necessary if the firearm is damaged, stolen or sent in for warranty repair.

TANFOGLIO SEMIAUTOMATIC PISTOLS

WARNINGS AND INSTRUCTION MANUAL

PLEASE READ THESE INSTRUCTIONS

Index:

Pag. 4	WARNINGS
Pag. 10	BASIC PARTS OF YOUR PISTOL
Pag. 13	LOADING AND UNLOADING YOUR PISTOL
Pag. 15	FIRING YOUR PISTOL
Pag. 16	REVERSIBLE MAGAZINE CATCH
Pag. 17	DISASSEMBLY RE-ASSEMBLY OF “F” VERSION MODELS
Pag. 19	“F” VERSION MODELS EXPLODED VIEW-STEEL FRAME
Pag. 20	“F” VERSION MODELS EXPLODED VIEW-PLASTIC FRAME
Pag. 21	DIRECTIONS FOR “R” version MODELS
Pag. 24	“R” VERSION MODELS EXPLODED VIEW – STEEL FRAME
Pag. 25	“R” VERSION MODELS EXPLODED VIEW – PLASTIC FRAME
Pag. 26	DISASSEMBLY RE-ASSEMBLY OF LIMITED-LIMITED CUS
Pag. 27	LIMITED MODEL EXPLODED VIEW
Pag. 28	LIMITED CUSTOM MODEL EXPLODED VIEW
Pag. 29	DISASSEMBLY RE-ASSEMBLY OF GOLD CUSTOM “ERIC”-MATCH
Pag. 30	GOLD CUSTOM “ERIC” MODEL EXPLODED VIEW
Pag. 31	MATCH MODEL EXPLODED VIEW
Pag. 32	GOLD MATCH MODEL EXPLODED VIEW
Pag. 33	FT 7-9 “F” MODEL EXPLODED VIEW
Pag. 34	FT 7-9 “R” MODEL EXPLODED VIEW
Pag. 35	FORCE 22 L MODEL EXPLODED VIEW
Pag. 36	MANUFACTURER’S WARNING
Pag. 37	WARRANTY
Pag. 39	WARRANTY COUPON

WA R N I N G

YOU RISK PERSONAL INJURY OR DEATH BY HANDLING THIS FIREARM

Before handling any firearm, make sure you know the safety procedures and most importantly, keep the firearm pointed in a safe direction.

Before handling this firearm, read, understand and follow the instructions in this manual. Always keep this manual with the firearm. If you lend, give or sell this firearm, be sure the manual goes with it. If there is anything you do not understand, seek advice from someone qualified in safe handling of firearms. You must ALWAYS obey the following warnings, instructions and safety procedures:

1. Always keep the muzzle pointed in a safe direction.
2. Firearms should be unloaded and secured when not actually in use.
3. Don't rely on your firearm's safety.
4. Be sure of your target and what's beyond it.
5. Use only proper ammunition matching the precise caliber of your specific pistol.
6. If your pistol fails to fire when the trigger is pulled, handle with care.
7. Always wear ear and eye protection when shooting.
8. Be sure the barrel is clear of obstructions before shooting.
9. Don't alter or modify your firearm and have it serviced regularly.
10. Learn the mechanical and handling characteristics of your pistol.
11. Shoot sober!

Type Of Ammunition To Be Used

It is suggested that high quality commercially manufactured ammunition be used in this firearm. Avoid military surplus or old ammunition as it may not fire with sufficient force to expel the projectile from the barrel. The use of reloaded, high pressure or hand-loaded ammunition can be dangerous and will void the warranty.

LEAD WARNING: The actual firearm does not contain any lead; however, it does fire ammunition which contains lead or lead compounds known to cause cancer, birth defects, reproductive toxicity, and other serious physical injury. Those who discharge a firearm, stand near someone who discharges a firearm or clean firearms are hereby warned of the dangers presented by lead and lead compounds and should take protective health measures. Avoid exposure to lead while handling and wash your hands after contact. Proper air ventilation is absolutely necessary when shooting indoors.

NOTICE

SEMI-AUTOMATIC PISTOLS ARE CLASSIFIED AS FIREARMS OR DANGEROUS WEAPONS and are produced by FRATELLI TANFOGLIO S.N.C. with the specific understanding that we are not responsible in any manner whatsoever for their safe handling or resale under local laws and regulations.

FRATELLI TANFOGLIO SNC shall not be responsible in any manner what soever for malfunctioning of the firearm, for physical injury or for property damage resulting in whole or in part from (1) intentional or negligent discharge, (2) improper or careless handling, (3) unauthorized modifications and/or alteration of the internal/safety mechanisms, (4) defective, improper, high pressure, hand-loaded, or reloaded ammunition, (5) corrosion and/or lack of proper maintenance (6) neglect, or (7) other influences beyond our direct and immediate control. This limitation applies regardless of whether liability is asserted on the basis of contract, negligence or strict liability (including any failure to warn). Under no circumstance shall Fratelli Tanfoglio s.n.c. be liable for incidental or consequential damages, such as loss of use of property, commercial loss and loss of earnings or profits.

FOLLOWING THESE SAFETY RULES CAN SAVE YOUR LIFE OR THE LIFE OF SOMEONE ELSE

Get competent firearms instruction in safe handling before using this firearm. Please ask your dealer for names of qualified instructors near you. All guns are extremely dangerous if carelessly handled or used. Remember that the firearm user is the primary "safety" and that reliance on any mechanical safety device should never replace safe handling procedures.

This firearm **WILL FIRE** if a cartridge is in the chamber and the trigger is pulled while the safety is disengaged.

DO NOT LOAD THIS PISTOL UNTIL YOU UNDERSTAND HOW IT OPERATES. **KEEP** this pistol unloaded at all times except when you are ready to fire and are sure of your target.

ALWAYS carry this pistol in a case or original box unloaded.

NEVER point this pistol at anything that is not your intended target even if the pistol is unloaded. When loading, unloading, cleaning or handling, always be sure the muzzle is pointed in a safe direction and always keep your finger off the trigger.

NEVER assume any gun is unloaded. Before handling, check to make sure the chamber is empty. See Unloading Instructions. Make sure you know that this or any firearm is fully unloaded before displaying or handling it. When handling any firearm, keep your fingers away from the trigger at all times until you intend to fire.

Get instructions from a competent firearms instructor before using this or any firearm. Learn from a professional how to handle, load, unload, operate, fire and care for your gun.

NEVER PLAY with your firearm. It is not a toy and can be a very dangerous weapon that can cause serious personal injury or death.

Always keep the gun pointed in a safe direction. Treat every gun as if it is loaded...all the time. **NEVER** point any firearm (loaded or unloaded) at any person or anything you do not intend to shoot. Always keep your gun unloaded until ready to use and make sure that it is unloaded before cleaning. Keep your finger **OFF** the trigger until you are actually aiming at the target and ready to shoot. Learn to rest your finger outside of the trigger guard.

FOLLOWING THESE SAFETY RULES CAN SAVE YOUR LIFE OR THE LIFE OF SOMEONE ELSE

Never rely on a gun's "safety" to protect you from unsafe gun handling. A safety is only a mechanical device, not a substitute for using common sense and following gun safety procedures.

Never leave a gun unattended or where it could fall.

Store guns and ammunition separately **beyond the reach of children**. Make sure that they are properly secured so untrained individuals and children will be denied access to your guns and ammunition.

Test your gun's operation and safeties only at a shooting range while the firearm is pointed in a safe direction.

Know your target and what is beyond. Ask yourself what your projectile will hit if it misses the target or passes through the intended target. Remember, a fired projectile can travel over a mile (including a ricochet) and is capable of going through walls. Never shoot at hard flat surfaces or water . . . bullets ricochet.

Guns and alcohol or drugs do not mix. Don't take any alcoholic beverages and/or drugs before or during shooting activities. Never pull a gun toward you by the muzzle. Don't climb a tree, cross a ditch or fence with a loaded gun.

Always empty guns before entering a house, car, truck, boat, RV, camp or any building.

When receiving a gun, always open the action and check to make sure the chamber is unloaded.

NEVER accept anyone's word that a gun is "unloaded" or "empty." You should immediately open the action and check to make sure it is unloaded.

Be careful with **ALL** ammunition. Even "blank" cartridges are deadly at close range due to the muzzle blast. Make sure your ammunition is new and in good clean condition. Do **NOT** oil or grease ammunition as this may damage the cartridge primer. Do **NOT** tamper with or alter the standard factory ammunition.

Keep firearms unloaded when not actually in use. Load the gun only when on the range preparing to fire and unload it before leaving the range.

FOLLOWING THESE SAFETY RULES CAN SAVE YOUR LIFE OR THE LIFE OF SOMEONE ELSE

Never put your hand over the muzzle of a gun.

ALWAYS WEAR protective shooting glasses and hearing protection when using firearms.

Spectators should be at least 5 mt behind and away from the shooter while the shooter is loading, shooting and unloading. Spectators should wear eye and ear protection and avoid distracting those shooting their firearms.

Never drop your gun. If you do drop it, unload it and check it for proper function before using it again.

Do **NOT** alter or modify your gun. Don't try to change your gun's trigger pull, because it may affect sear engagement and thereby cause accidental firing.

Do **NOT** remove any internal safety or safety device on the firearm. Safety mechanisms are designed to help protect you from personal injury or death.

Properly maintain and keep your gun clean. Keep it in a dry place away from other metals and water. If your gun shows sign of corrosion or improper operation, have it serviced by a competent gunsmith.

Keep the muzzle pointed in a safe direction when loading and unloading your gun. Never point the muzzle at anyone.

If a gun fails to fire when the trigger is pulled, keep it pointed down range at the target for 60 seconds. Sometimes slow primer ignition will cause a "hang fire" and the cartridge will go off after a short pause. If it still fails to fire, keep the muzzle pointed in a safe direction and avoid exposure to the breech, as you attempt to unload your firearm.

Never let water, snow, mud or other material enter the barrel. Always be sure the barrel is free of any obstruction.

Use the correct ammunition for your firearm. (See Ammunition Warning).

Teach children: 1. **NOT** to touch guns, bullets, cartridges, shells, flares or any explosive device and 2. That if they discover such a dangerous item or weapon, they must immediately report its location to their parents, school teacher or police.

Remember a firearm has the capability of taking your life or the life of someone else. Be careful with your firearm - an accident is almost always the result of not following basic safety rules.

USED FIREARMS - Firearms are sometimes altered to work incorrectly, or parts may be removed, lost or replaced with incorrect parts. If you got your Tanfoglio firearm as a used gun, **BEFORE USING IT** you should take it to a good gunsmith who knows TANFOGLIO firearms, and have him examine it.

WRITE FRATELLI TANFOGLIO SNC concerning any items or circumstances that you do not understand and which might relate to your safety and the operation of your firearm at: FRATELLI TANFOGLIO s.n.c., Via Valtrompia 39/41 - 25063 - Gardone V.T. -Brescia- ITALY; info@tanfoglio.it.

W A R N I N G (POTENTIAL OBSTRUCTIONS)

BEFORE LOADING or firing a pistol, examine the bore and the firing chamber to be certain they are clean and free of any obstruction. Even a heavy coat of oil, grease, snow or water may result in damage to the firearm and injury to the shooter and/or persons near the firearm. A misfire or unusual sound upon firing is a signal to cease firing and to examine the chamber and bore. If there is any obstruction, clear the obstruction and clean the bore and chamber before firing.

Any bore obstruction, even if it is only partly blocked, may cause the gun to blow up if it is fired, or may cause damage to the gun such as a bulged barrel. To avoid injury or death to the shooter or bystanders, check the barrels before shooting or if a shot does not sound normal.

W A R N I N G

Always keep the muzzle pointed in a safe direction! Never attempt to load or unload any firearm inside a vehicle, building or other confined space (except a properly constructed shooting range). Enclosed areas frequently offer no completely safe direction in which to point the firearm. If an accidental discharge occurs, there is great risk of death, personal injury or property damage. Before loading, always clean all, grease and oil from the bores and chambers, and check to be certain that no obstructions are in the barrel. Any foreign matter in the barrels could result in a bulged or burst barrel or other damage to the firearm and could cause serious injury to the shooter or to others.

W A R N I N G

If there is any reason to suspect that a projectile is obstructing the barrel, immediately unload the firearm (See Unloading Instructions) and check the chamber and the bore. A projectile or some other matter may be lodged some distance down the barrel where it can not easily be seen. Check the bore by using a cleaning rod to pass through the barrel. If a blockage is in the bore, **DO NOT ATTEMPT TO SHOOT IT OUT WITH ANOTHER CARTRIDGE, OR BLOW IT OUT WITH A BLANK CARTRIDGE OR A CARTRIDGE FROM WHICH THE BULLET HAS BEEN REMOVED. SUCH TECHNIQUE(S) CAN GENERATE EXCESSIVE PRESSURE, DAMAGE THE FIREARM AND CAUSE SERIOUS PERSONAL INJURY.** If the blockage can be removed with a cleaning rod, clean any unburned powder grains from the bore, chambers and mechanism before resuming shooting. If the blockage can not be dislodged by tapping it with a cleaning rod, take the firearm to a gunsmith.

W A R N I N G (EYE AND EAR PROTECTION)

When shooting, full eye and ear protection is mandatory at all times. Shooters and spectators must wear shooting glasses and hearing protection to prevent eye injury and hearing loss. Vision and hearing impairment can occur with only one moment of non-protection.

W A R N I N G (Mechanical Malfunctions)

STOP SHOOTING IMMEDIATELY AND UNLOAD YOUR FIREARM if your firearm develops: a mechanical malfunction; binding or stoppage; spitting powder/gas; a punctured cartridge primer; a bulged or ruptured cartridge case; or a sound on firing does not sound quite right. Do NOT try one more shot but unload your firearm and take it and the ammunition to a qualified gunsmith or send the firearm back to FRATELLI TANFOGLIO S.N.C. for examination. Do not assume that the pistol is empty merely because you checked the chamber. You must also check the bore for any obstruction inside the barrel.

BASIC PARTS OF YOUR PISTOL

EXTERNAL CONTROL PARTS:

Trigger Block Safety: The safety mechanism of the pistol provides protection against accidental and unintentional discharge under normal usage when properly engaged and in good working order. The safety mechanism is not a substitute for following safe gun handling rules. Do not disengage the safety unless you are ready to fire the pistol. **MAKE SURE YOU UNDERSTAND HOW THE SAFETY WORKS BEFORE YOU LOAD OR USE THE PISTOL.**

The safety mechanism is a lever located on the side of the pistol's receiver. See **Figure 1**. The safety may be operated with the hammer cocked (fully back) or not cocked (all the way down) or in the resting position (about half way between fully cocked and not cocked) and with the pistol loaded or unloaded. To place the safety in the "on" or "safe" position, push the lever up so that it covers the red dot. When in the "on" or "safe" position, the safety blocks the rearward motion of the trigger so that it cannot be pulled to the rear thus stopping the movement of the hammer. To place the safety in the "off" or "fire" position, push the safety lever down. When in the "off" or "fire" position, the red dot is exposed. You have now disengaged the safety and the pistol is in the ready-to-fire position. See **Figure 2**. It is always a good idea to make sure the gun is pointed in a safe direction during any safety movement. See **Figure 3**.

WARNING!

Do not touch the trigger while moving the safety. When operating the safety, make sure you move it to the full extent of its travel in the desired direction, either fully "on" or fully "off." Half-safe or partially-safe is UNSAFE.

WARNING!

The pistol does not incorporate a magazine disconnect safety, so the pistol may be fired with the magazine removed from the pistol.

WARNING!

The pistol is designed to and WILL FIRE when the trigger is pulled and the safety mechanism is in the "off" or "fire" position.

Your Safety Does: Lock the sear so the trigger cannot be moved rearward. By blocking the trigger movement the hammer is also blocked from movement. If the hammer is back and the safety is on, you can move the slide to safely check the chamber.

Firing Pin Block: The pistol also incorporates an automatic, internal firing pin block which stops the firing pin from traveling forward. The firing pin block is released only by pulling the trigger all the way to the rear as is done in firing the pistol. It is located at the rear of the under-right hand side of the slide, just in front of the firing pin. See **Figure 4**.



Figure 1



Figure 2



Figure 3

WARNING!

Always keep your fingers off the trigger and outside of the trigger guard until you are ready to pull the trigger and fire the pistol

WARNING!

The pistol is designed to and WILL FIRE when the trigger is pulled and the safety mechanism is in the "off" or "fire" position.

WARNING!

Always keep the muzzle pointed in a safe direction! See **Figure 5**.

Hammer: Located on the rear of the pistol and used to supply energy to the firing pin to ignite the cartridge primer. See **Figure 6**.

Lowering The Hammer:

WARNING!

Make sure the pistol is unloaded (see Unloading Instructions) and pointed in a safe direction!

WARNING!

Extreme caution must be used when lowering the hammer as the manual safety and automatic firing pin block are "off" safety when this is being done! If done incorrectly the pistol may FIRE.

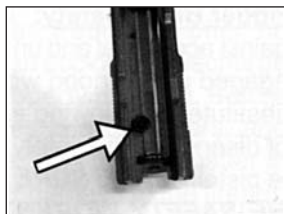


Figure 4



Figure 5

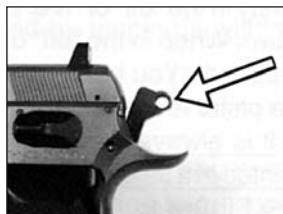


Figure 6



Figure 7



Figure 8



Figure 9

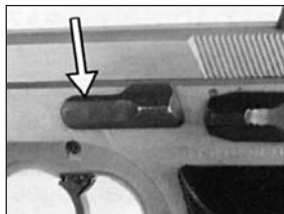


Figure 10

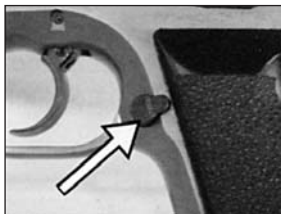


Figure 11

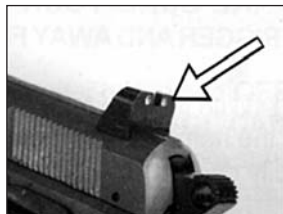


Figure 12

WARNING!

Your pistol has a resting position or notch on the hammer. This notch is not to be used as a half cock position. This notch's sole purpose is an additional notch on the hammer so as to allow the sear a chance to engage the hammer if the trigger is not pulled fully to the rear.

In order to lower the hammer, first move the safety to the "off" safe position. Grasp the hammer very firmly and put a finger between the hammer and the firing pin. See **Figure 7**. Then pull the trigger and slowly let the hammer move forward past the resting position. See **Figure 8**. RELEASE THE TRIGGER. Gently let the hammer down against the rear of the slide. See **Figure 9**. PUSH THE MANUAL SAFETY LEVER TO THE "ON" OR "SAFE" POSITION.

Slide Stop: Locks the slide back when engaged. It is located on left hand side of the gun. See **Figure 10**.

Magazine Release: Locks or holds the magazine in place and is depressed to release the magazine. See **Figure 11**.

Rear Sight: Drift adjustable, unless the gun is shipped with the optional windage / elevation adjustable sight. See **Figure 12**.

Trigger: A curved trigger is a single action / double action trigger and fires the gun in single action or double action mode. A single action only pistol has a trigger that is straight in shape and only fires the pistol in single action. See **Figure 13**. (Single action Trigger) See **Figure 14**. (Single Action / Double Action Trigger).



Figure 13

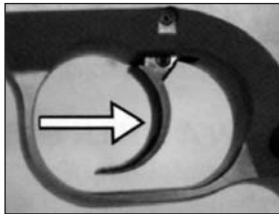


Figure 14



Figure 15



Figure 16



Figure 17

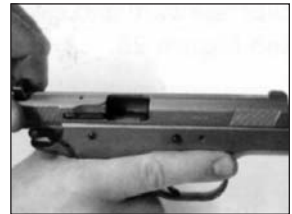


Figure 18



Figure 19



Figure 20



Figure 21

LOADING AND UNLOADING YOUR PISTOL

WARNING !

Make sure the pistol is pointed in a safe direction and the trigger block safety is engaged at all times while loading and unloading. NEVER allow your fingers or other objects to contact the trigger while loading or unloading.

WARNING !

Do not disengage the trigger block safety until you are ready to fire and have the gun pointed safely downrange.

WARNING !

Do not load pistol until you are ready to fire.

TO LOAD THE MAGAZINE:

- 1) Press the magazine release button and remove the magazine from the pistol. See **Figure 15**.
- 2) Load the cartridges into the magazine. Do NOT force the cartridges into the magazine. Do NOT overload the magazine. See **Figure 16**.
- 3) Push the magazine up into the pistol firmly until the magazine catch locks it into place. Do NOT slam the magazine into place. See **Figure 17**.

TO LOAD THE CHAMBER:

MAKE SURE YOUR FINGERS ARE OFF THE TRIGGER AND AWAY FROM THE TRIGGER GUARD.

- 1) With the gun pointed in a safe direction. Move the safety to the “off” position if the hammer is in the down position or resting position. If the hammer is in the fully cocked position you may bypass this step.
- 2) Hold the pistol grip with one hand, grasp the rear slide serrations as far back as possible with your other hand. Pull the slide rearward until it cannot travel any farther. See **Figure 18**.
- 3) Release the slide and allow it to go forward into the closed position (as powdered by the recoil spring... Do not help / push the slide forward). The slide will automatically take a cartridge from the magazine and load it into the chamber. See **Figure 19**.
- 4) Do **NOT** put your fingers or hand in front of the barrel.
- 5) Move the safety to the “on” or “safe” position **IMMEDIATELY!!!!**

WARNING! YOUR PISTOL IS NOW LOADED AND READY TO FIRE, IF THE SAFETY IS MOVED TO THE OFF OR “FIRE” POSITION AND THE TRIGGER IS PULLED THE GUN WILL FIRE.

TO UNLOAD:

Make Sure the Safety is in the “ON” position and the gun is pointed in a safe direction. See **Figure 20**.

1) Press the magazine release button and remove the magazine from the pistol. See **Figure 21**.

WARNING!

The pistol does not incorporate a magazine disconnect safety, so the pistol may be fired with the magazine removed from the pistol.

WARNING!

Removing the magazine does not unload the chamber. If a cartridge is in the chamber the pistol can fire with the magazine removed.

2) To unload the chamber, keep your finger OUT of the trigger guard and OFF THE TRIGGER and move the safety to the off position.... THE PISTOL CAN NOW FIRE IF YOU PULL THE TRIGGER, SO BE VERY CAREFUL! Make sure your fingers are not in the trigger guard. Hold the pistol grip with one hand, grasp the rear slide serrations as far back as possible with your other hand. Pull the slide rearward and eject the cartridge in the chamber. See **Figure 22**.

3) Engage the slide stop, so that the slide stays in the rearward position. See **Figure 23**.

4) Visually check the chamber to insure that there is no cartridge in the chamber. See **Figure 24**.

5) To unload the magazine you press the top cartridge in the magazine down forward and out, repeat this procedure until the magazine is completely unloaded. See **Figure 25**.



Figure 22



Figure 23

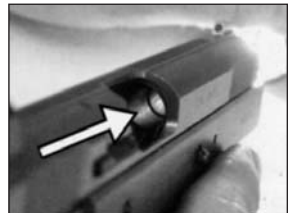


Figure 24



Figure 25



Figure 26



Figure 27

FIRING YOUR PISTOL

WARNING

Never load a cartridge into the chamber until you are ready to fire the pistol.

WARNING

Do not disengage the trigger block safety until the pistol is pointed in a safe direction and you are ready to fire.

WARNING

If a cartridge does not fire and the trigger has been pulled and the trigger block safety is disengaged, Stop! Then do the following: **a)** Make sure the gun is pointed in a safe direction **b)** Engage the trigger block safety **c)** Wait 60 seconds **d)** Follow the instructions above for unloading the pistol.

WARNING

If during firing the sound of any cartridge is noticeably softer or louder than the previous cartridge fired, Stop! Then do the following: **a)** Make sure the gun is pointed in a safe direction **b)** Engage the trigger block safety **c)** Follow the instructions above for unloading the pistol and **d)** With the pistol unloaded visually inspect the pistol for barrel blockage or damage. Then inspect the receiver of the pistol for damage before continuing.



Figure 28



Figure 29

READ, UNDERSTAND AND FOLLOW ALL WARNINGS AND INSTRUCTIONS IN THIS MANUAL BEFORE FIRING THE PISTOL.

TO FIRE THE PISTOL:

- 1) Make sure the pistol is pointed in a safe direction with the trigger block safety engaged. See **Figure 26**.
- 2) Make sure you are wearing eye and ear protection.
- 3) Keep your fingers away from the trigger. See **Figure 27**.
- 4) Push the trigger block safety to the "off" or "fire" position with the red dot showing. See **Figure 28**.
- 5) Squeeze the trigger. The pistol will fire when you pull or squeeze the trigger with the required force.
- 6) The pistol will fire one shot with every squeeze of the trigger, until the magazine is empty. See **Figure 29**.
- 7) When the magazine is empty, the slide will stay open. You may remove the magazine and reload the magazine while the slide is locked open by the slide stop. See **Figure 30**.
- 8) Insert the loaded magazine into the pistol. You may either press down on the slide stop or pull slightly back on the slide and release it. The slide will close and reload the chamber. The pistol will then be ready to FIRE. See **Figures 31a** and **31b**.



Figure 30



Figure 31a



Figure 31b

WARNING

If you fired the pistol and wish to stop firing, immediately push the trigger block safety to the "on" or "safe" position. Then follow the unloading instructions above while keeping the muzzle pointed in a safe direction.

REVERSIBLE MAGAZINE CATCH

The magazine catch is normally assembled for the right hand shooter but being reversible is possible to reverse it for the left hand shooter following these instructions:

- 1) Follow the disassembly instruction till point Nr. 6
- 2) Release the hammer (**Figure 1**)
- 3) Push and rotate of 90° the head of the trigger bar guide (3.7) till it exits from its trigger bar seat. (**Figure 2**)
- 4) Pull vertically the trigger bar guide for 10mm being careful in closing the hole in the magazine catch for avoiding to loose the magazine catch spring guide (6.7) (**Figure 3**)
- 5) Take out the magazine catch and re-assemble it on the opposite side (**Figure 4a and 4b**)
- 6) With a pin push the magazine catch spring guide (6.7) inside the magazine catch hole and at the same time push the trigger bar guide (3.7) down till the end of its run (**Figure 5a and 5b**)
- 7) Push and rotate the head of the trigger bar guide (3.7) till it enter in its seat under the trigger bar (**Figure 6**)

Follow the re-assembly directions.



Figure 1

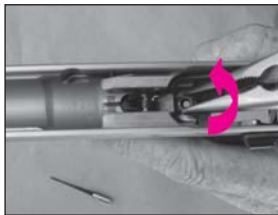


Figure 2

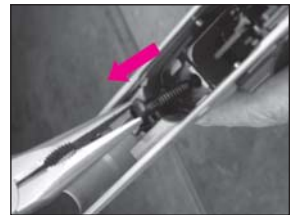


Figure 3



Figure 4a



Figure 4b



Figure 5a



Figure 5b

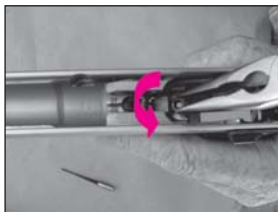


Figure 6

**DIRECTIONS FOR DISASSEMBLY | RE-ASSEMBLY OF
COMBAT (“F” version) MODELS COMPACT, CARRY, FULL SIZE,
STEEL AND PLASTIC FRAME “F” version**



Figure 7

- 1) Make sure the pistol is unloaded (FOLLOW UNLOADING INSTRUCTIONS) and pointed in a safe direction.
- 2) Pull the hammer back to the full cock position. See **Figure 32**.
- 3) Identify the two takedown marks behind the safety lever on the left side of the slide and frame. Pull the slide back slightly and line up the two marks. See **Figure 33**.
HINT: Use the rear sight for leverage when lining up the marks.
- 4) Remove the slide stop-takedown lever by pushing on the end sticking out of the right side of the pistol and pull on the lever with your other hand. See **Figures 34a and 34b**.



Figure 32



Figure 33



Figure 34a



Figure 34b

- 5) Slide the Barrel / Slide Assembly forward and off the receiver. See **Figure 35**.
- 6) Hold the slide upside down. Retract the recoil spring and guide and remove the recoil spring and guide as an assembly. See **Figure 36**.
- 7) Remove the barrel from the slide. See **Figures 37a and 37b**.
- 8) **NO FURTHER DISASSEMBLY** of the pistol is recommended unless performed by a qualified gunsmith. Remember that work done by others and unauthorized gunsmithing by non-factory personnel will VOID the warranty.
- 9) To reassemble the pistol, simply reverse these procedures.



Figure 35



Figure 36

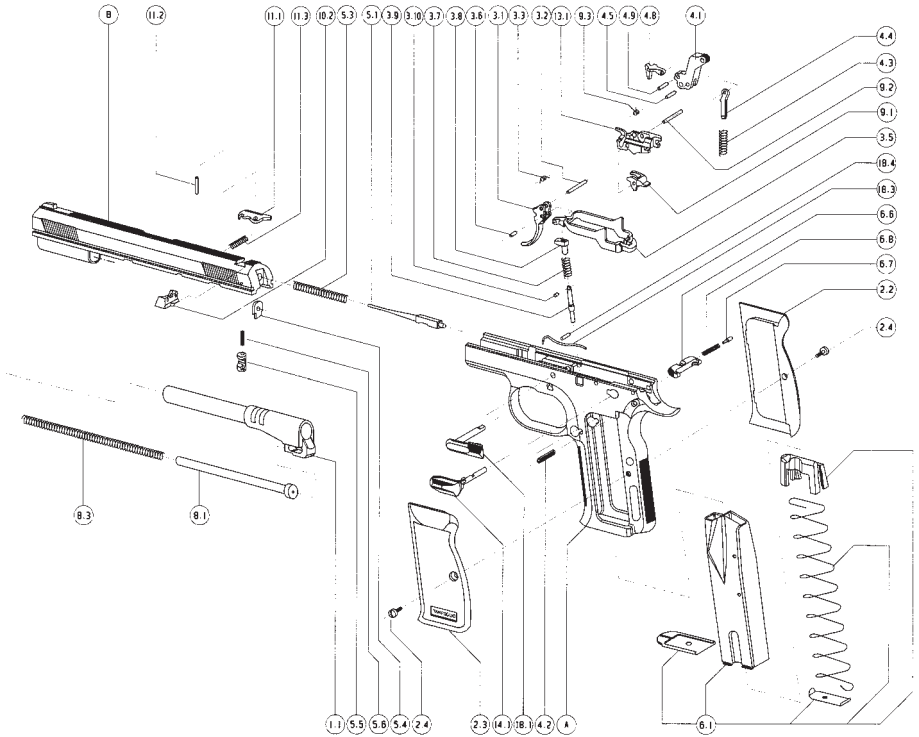


Figure 37a



Figure 37b

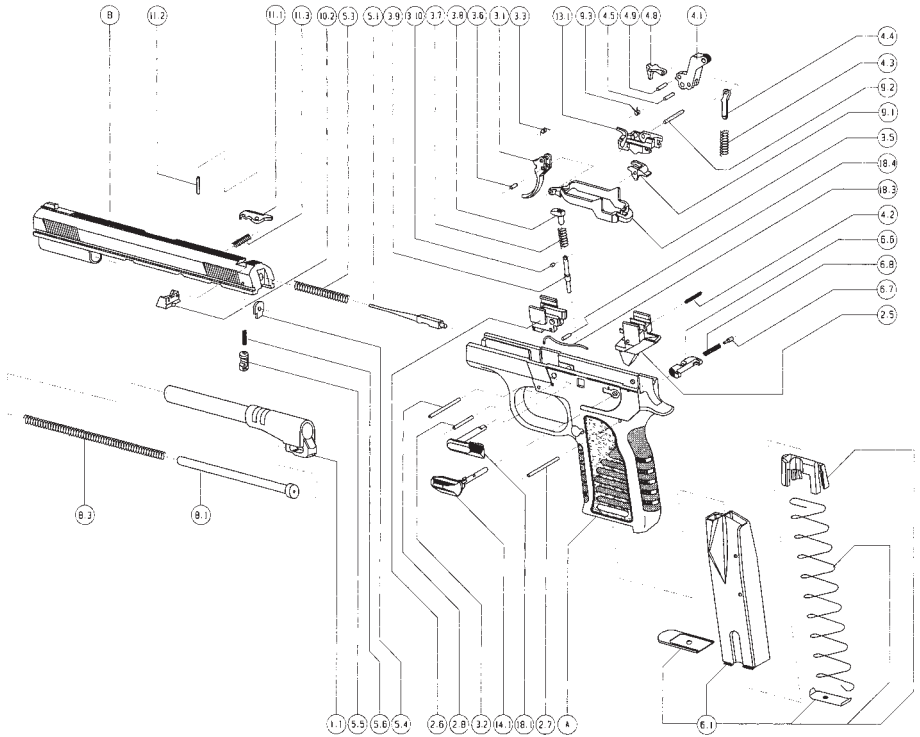
STEEL "F" VERSION | COMBAT MODELS



- 1.1 BARREL
- 2.2 RIGHT GRIP
- 2.3 LEFT GRIP
- 2.4 GRIP SCREWS
- 3.1 TRIGGER
- 3.2 TRIGGER PIN
- 3.3 TRIGGER SPRING
- 3.5 TRIGGER BAR
- 3.6 TRIGGER BAR PIN
- 3.7 TRIGGER BAR SPRING
- 3.8 TRIGGER BAR GUIDE
- 3.9 TRIGGER BAR PLUNGER
- 3.10 TRIGGER BAR PLUNGER PIN
- 4.1 HAMMER
- 4.2 HAMMER PIN
- 4.3 HAMMER SPRING
- 4.4 HAMMER STRUT
- 4.5 HAMMER STRUT PIN
- 4.8 INTERRUPTOR
- 4.9 INTERRUPTOR PIN
- 5.1 FIRING PIN
- 5.3 FIRING PIN SPRING
- 5.4 FIRING PIN RETAINER

- 5.5 FIRING PIN SAFETY
- 5.6 FIRING PIN SAFETY SPRING
- 6.1 MAGAZINE
- 6.6 MAGAZINE CATCH
- 6.7 MAGAZINE CATCH PLUNGER
- 6.8 MAGAZINE CATCH SPRING
- 8.1 RECOIL SPRING GUIDE
- 8.3 RECOIL SPRING
- 9.1 SEAR
- 9.2 SEAR PIN
- 9.3 SEAR SPRING
- 10.2 REAR SIGHT
- 11.1 EXTRACTOR
- 11.2 EXTRACTOR PIN
- 11.3 EXTRACTOR SPRING
- 13.1 SEAR HOUSING
- 14.1 SAFETY
- 18.1 SLIDE TOP PIN
- 18.3 SLIDE STOP PIN SPRING
- 18.4 SLIDE TOP PIN SPRING PIN
- A FRAME
- B SLIDE

PLASTIC FRAME "F" VERSION | COMBAT MODELS



- 1.1 BARREL
- 2.5 REAR INSERT
- 2.6 FRONT INSERT
- 2.7 REAR INSERT PIN
- 2.8 FRONT INSERT PIN
- 3.1 TRIGGER
- 3.2 TRIGGER PIN
- 3.3 TRIGGER SPRING
- 3.5 TRIGGER BAR
- 3.6 TRIGGER BAR PIN
- 3.7 TRIGGER BAR SPRING
- 3.8 TRIGGER BAR GUIDE
- 3.9 TRIGGER BAR PLUNGER
- 3.10 TRIGGER BAR PLUNGER PIN
- 4.1 HAMMER
- 4.2 HAMMER PIN
- 4.3 HAMMER SPRING
- 4.4 HAMMER STRUT
- 4.5 HAMMER STRUT PIN
- 4.8 INTERRUPTOR
- 4.9 INTERRUPTOR PIN
- 5.1 FIRING PIN
- 5.3 FIRING PIN SPRING

- 5.4 FIRING PIN RETAINER
- 5.5 FIRING PIN SAFETY
- 5.6 FIRING PIN SAFETY SPRING
- 6.1 MAGAZINE
- 6.6 MAGAZINE CATCH
- 6.7 MAGAZINE CATCH PLUNGER
- 6.8 MAGAZINE CATCH SPRING
- 8.1 RECOIL SPRING GUIDE
- 8.3 RECOIL SPRING
- 9.1 SEAR
- 9.2 SEAR PIN
- 9.3 SEAR SPRING
- 10.2 REAR SIGHT
- 11.1 EXTRACTOR
- 11.2 EXTRACTOR PIN
- 11.3 EXTRACTOR SPRING
- 13.1 SEAR HOUSING
- 14.1 SAFETY
- 18.1 SLIDE STOP PIN
- 18.3 SLIDE STOP PIN SPRING
- 18.4 SLIDE TOP PIN SPRING PIN
- A FRAME
- B SLIDE

DIRECTIONS FOR USE OF STANDARD (“R” version) MODELS COMPACT, CARRY, FULL SIZE, STEEL AND PLASTIC FRAME



In R Version | Standard Model the safety is located at the back of the slide, just below the rear sight. Pushing the safety downward will engage the safety. In this position the sear is held down by the firing pin safety and the trigger bar, which is pushed downward and cannot engage the interruptor thus neutralizing the trigger. The safety is also a decocking device which pulls the firing pin inside the firing pin hole before the hammer is released, preventing any contact between them. Due to the unique blocking of the firing pin by the safety, the pistol will not fire when dropped accidentally in its hammer or muzzle.

OPERATING INSTRUCTION

- 1- When the safety lever is down into the “safe” position, See **Figure 1**, a white dot will be visible and the trigger is neutralized.
- 2- When the safety lever is up into “FIRE” position, see **Figure 2**, a red dot will be visible
- 3- Press the magazine release button on the left hand side of the pistol, see **Figure 3**, for removing the magazine.



Figure 1



Figure 2



Figure 3



Figure 4



Figure 5



Figure 6

- 4- Draw the slide to the rear and check the chamber visually to ensure that the pistol is unloaded. See **Figure 4**. Release the slide.
- 5- Point the pistol in a safe direction and pull the trigger. See **Figure 5**.
- 6- Cock the pistol and then release the hammer by moving the safety down to “SAFE” position (decocking test), See **Figure 6**.
- 7- Point the pistol in a safe direction, and check that the trigger is neutralized, See **Figure 7**.
- 8- Move the safety up to the “FIRE” position and then pull the trigger, checking the double-action mechanism, See **Figure 2**.
- 9- Move the safety down to the “SAFE” position, See **Figure 1**.

DISASSEMBLING THE PISTOL

- 1- Remove the magazine. See **Figure 3**
- 2- Draw back the slide several times (without pulling the trigger) to ensure that there are no live cartridge in the chamber.
- 3- Check the chamber visually to make sure that is empty. See **Figure 4**
- 4- Move the safety in the “FIRE” position. See **Figure 2**
- 5- With the pistol completely unloaded, manually move the cocked position. See **Figure 6**
- 6- Push the slide slightly to the rear until the mark behind the safety is just above the mark on the frame. See **Figure 7**



Figure 7



Figure 8



Figure 9

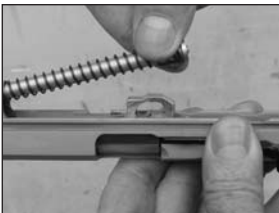


Figure 10



Figure 11



Figure 12

- 7-While holding the pistol in that position, remove the slide catch lever by pushing in on the pin of the lever on the opposite side of the frame. See **Figure 8**
- 8-Pull the slide from the frame. See **Figure 9**
- 9-Remove the recoil spring assembly from its housing under the barrel. See **Figure 10**
- 10-Remove the barrel from the slide. See **Figure 11**

ASSEMBLING THE PISTOL

- 1-Insert the barrel into the slide in its rearmost (locked) position. See **Figure 12**
- 2-Insert the recoil spring assembly, making sure that it is securely fitted into the recess in the bottom lug of the barrel. See **Figure 13**. The coneshaped end of the recoil spring assembly fits into the barrel lug.
- 3-Manually move the hammer to the cocked position.
- 4-Mount the slide on the frame (See **Figure 14**) and push it to the rear until the marks are in line, one above the other, then insert the slide catch pin until it snaps into place. See **Figure 15**.
- 5-Check correct pistol operation by cocking it.
- 6-Check trigger and hammer operation and verify that safety is functioning properly and safely.



Figure 13

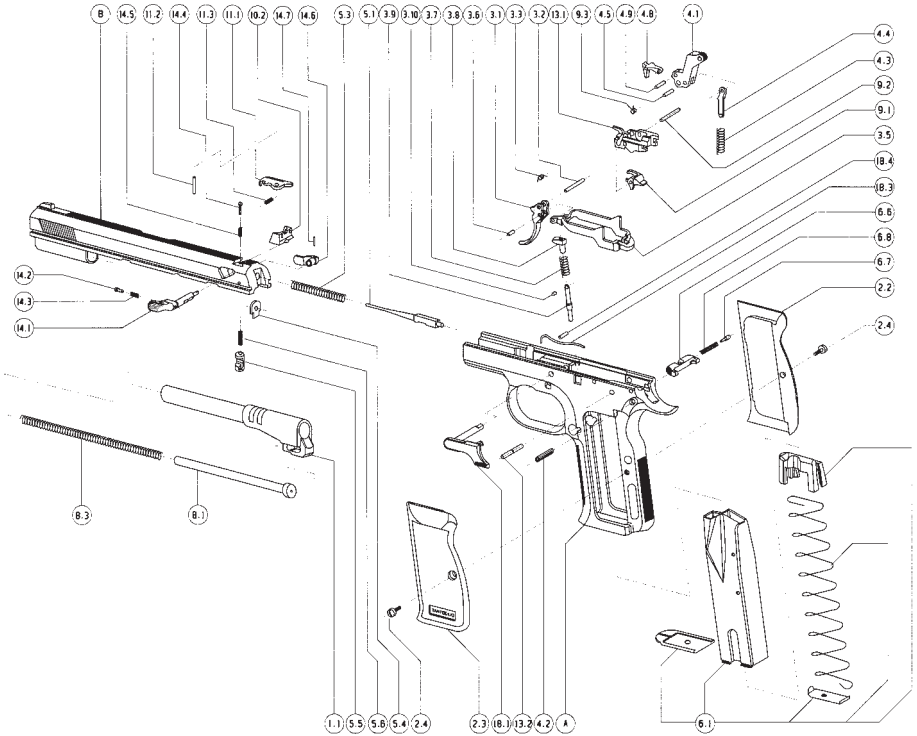


Figure 14



Figure 15

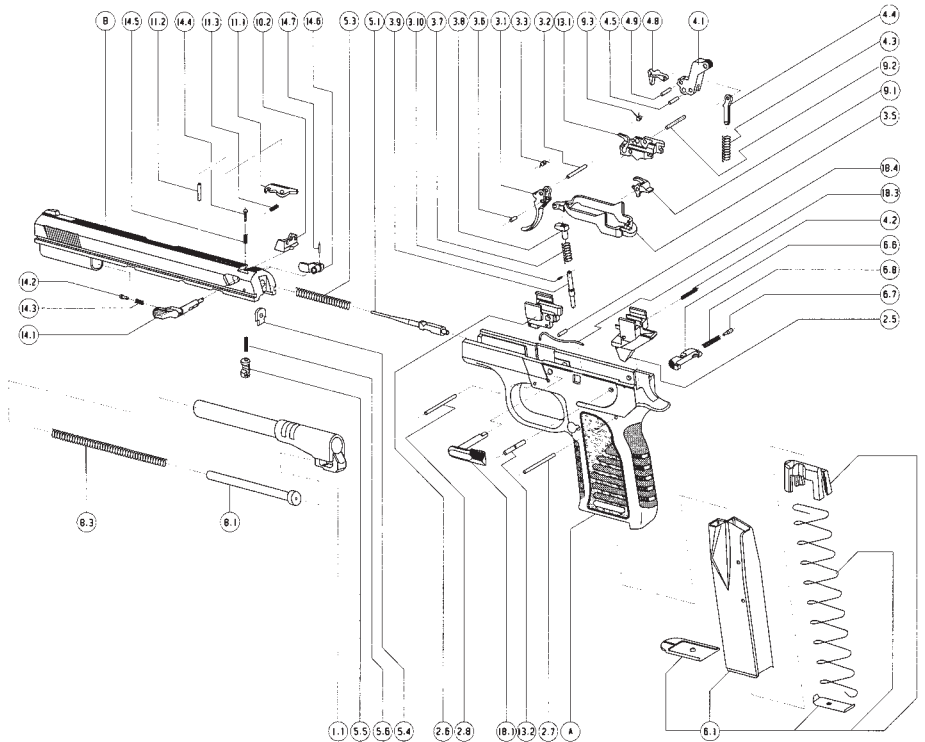
STEEL FRAME STANDARD | "R" VERSION MODELS



- 1.1 BARREL
- 2.2 RIGHT GRIP
- 2.3 LEFT GRIP
- 2.4 GRIP SCREWS
- 3.1 TRIGGER
- 3.2 TRIGGER PIN
- 3.3 TRIGGER SPRING
- 3.5 TRIGGER BAR
- 3.6 TRIGGER BAR PIN
- 3.7 TRIGGER BAR SPRING
- 3.8 TRIGGER BAR GUIDE
- 3.9 TRIGGER BAR PLUNGER
- 3.10 TRIGGER BAR PLUNGER PIN
- 4.1 HAMMER
- 4.2 HAMMER PIN
- 4.3 HAMMER SPRING
- 4.4 HAMMER STRUT
- 4.5 HAMMER STRUT PIN
- 4.8 INTERRUPTOR
- 4.9 INTERRUPTOR PIN
- 5.1 FIRING PIN
- 5.3 FIRING PIN SPRING
- 5.4 FIRING PIN RETAINER
- 5.5 FIRING PIN SAFETY
- 5.6 FIRING PIN SAFETY SPRING
- 6.1 MAGAZINE

- 6.6 MAGAZINE CATCH
- 6.7 MAGAZINE CATCH PLUNGER
- 6.8 MAGAZINE CATCH SPRING
- 8.1 RECOIL SPRING GUIDE
- 8.3 RECOIL SPRING
- 9.1 SEAR
- 9.2 SEAR PIN
- 9.3 SEAR SPRING
- 10.2 REAR SIGHT
- 11.1 EXTRACTOR
- 11.2 EXTRACTOR PIN
- 11.3 EXTRACTOR SPRING
- 13.1 SEAR HOUSING
- 13.2 SEAR HOUSING PIN
- 14.1 FIRING PIN SAFETY (LEFT)
- 14.2 FIRING PIN SAFETY PLUNGER
- 14.3 FIRING PIN SAFETY SPRING
- 14.4 SEAR SAFETY
- 14.5 SEAR SAFETY SPRING
- 14.6 FIRING PIN SAFETY (RIGHT)
- 14.7 FIRING PIN SAFETY PIN
- 18.1 SLIDE TOP PIN
- 18.3 SLIDE STOP PIN SPRING
- 18.4 SLIDE TOP PIN SPRING PIN
- A FRAME
- B SLIDE

PLASTIC FRAME STANDARD | "R" VERSION MODELS



- 1.1 BARREL
- 2.5 REAR INSERT
- 2.6 FRONT INSERT
- 2.7 REAR INSERT PIN
- 2.8 FRONT INSERT PIN
- 3.1 TRIGGER
- 3.2 TRIGGER PIN
- 3.3 TRIGGER SPRING
- 3.5 TRIGGER BAR
- 3.6 TRIGGER BAR PIN
- 3.7 TRIGGER BAR SPRING
- 3.8 TRIGGER BAR GUIDE
- 3.9 TRIGGER BAR PLUNGER
- 3.10 TRIGGER BAR PLUNGER PIN
- 4.1 HAMMER
- 4.2 HAMMER PIN
- 4.3 HAMMER SPRING
- 4.4 HAMMER STRUT
- 4.5 HAMMER STRUT PIN
- 4.8 INTERRUPTOR
- 4.9 INTERRUPTOR PIN
- 5.1 FIRING PIN
- 5.3 FIRING PN SPRING
- 5.4 FIRING PIN RETAINER
- 5.5 FIRING PIN SAFETY
- 5.6 FIRING PIN SAFETY SPRING

- 6.1 MAGAZINE
- 6.6 MAGAZINE CATCH
- 6.7 MAGAZINE CATCH PLUNGER
- 6.8 MAGAZINE CATCH SPRING
- 8.1 RECOIL SPRING GUIDE
- 8.3 RECOIL SPRING
- 9.1 SEAR
- 9.2 SEAR PIN
- 9.3 SEAR SPRING
- 10.2 REAR SIGHT
- 11.1 EXTRACTOR
- 11.2 EXTRACTOR PIN
- 11.3 EXTRACTOR SPRING
- 13.1 SEAR HOUSING
- 14.1 FIRING PIN SAFETY (LEFT)
- 14.2 FIRING PIN SAFETY PLUNGER
- 14.3 FIRING PIN SAFETY SPRING
- 14.4 SEAR SAFETY
- 14.5 SEAR SAFETY SPRING
- 14.6 FIRING PIN SAFETY (RIGHT)
- 14.7 FIRING PIN SAFETY PIN
- 18.1 SLIDE TOP PIN
- 18.3 SLIDE STOP PIN SPRING
- 18.4 SLIDE TOP PIN SPRING PIN
- A FRAME
- B SLIDE

DISASSEMBLY AND ASSEMBLY OF LIMITED | LIMITED CUSTOM

- 1) Field Stripping. DO NOT USE TOOLS. DO NOT pry or hammer on the pistol.
- 2) Pull the hammer back to the full cock position. See **Figure 1**.
- 3) Identify the two takedown marks behind the safety lever on the left side of the slide and frame. Pull the slide back slightly and line up the two marks. HINT: Use the rear sight for handy leverage when lining up the marks. See **Figure1**.
- 4) Remove the slide stop-takedown lever by pushing on the end sticking out of the right side of the pistol and pull on the lever with your other hand. See **Figures 2a and 2b**.
- 5) Slide the Barrel / Slide Assembly forward and off the receiver. See **Figure 3**.
- 6) Hold the slide upside down, retract the recoil spring and remove the recoil spring and guide. See **Figure 4**.
- 7) After removing the recoil spring and guide there is a bushing in the dust cover that retains the recoil spring. This is removed by pushing it back towards the breech face. See **Figure 5**.
- 8) Then remove the barrel by pushing it forward. It can then be removed then from the front of the slide. See **Figure 6**.



Figure 1



Figure 2a

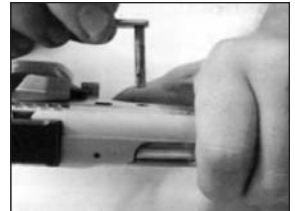


Figure 2b



Figure 3



Figure 4

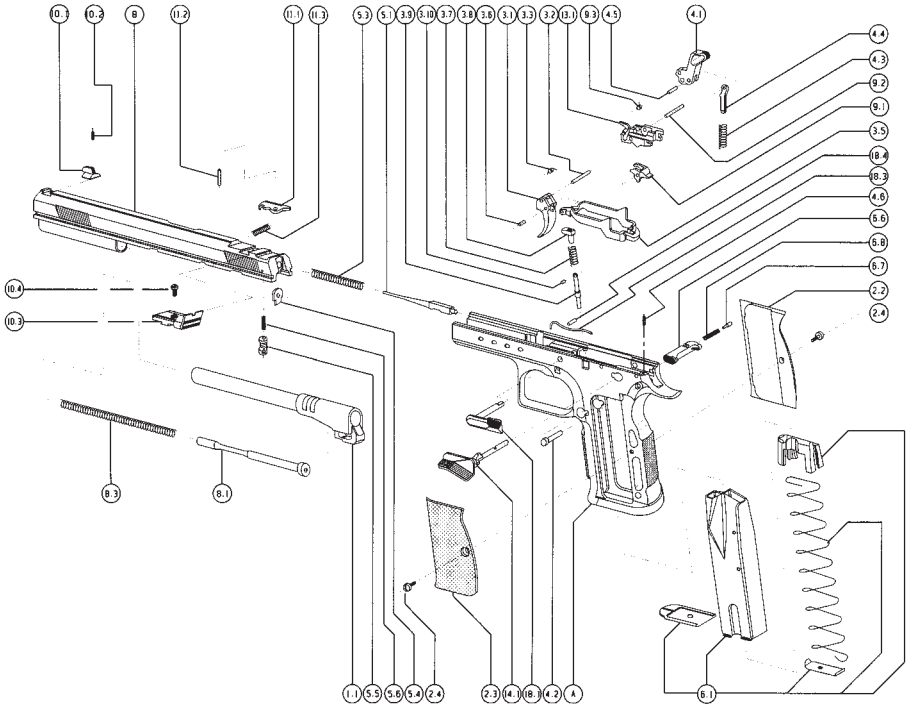


Figure 5



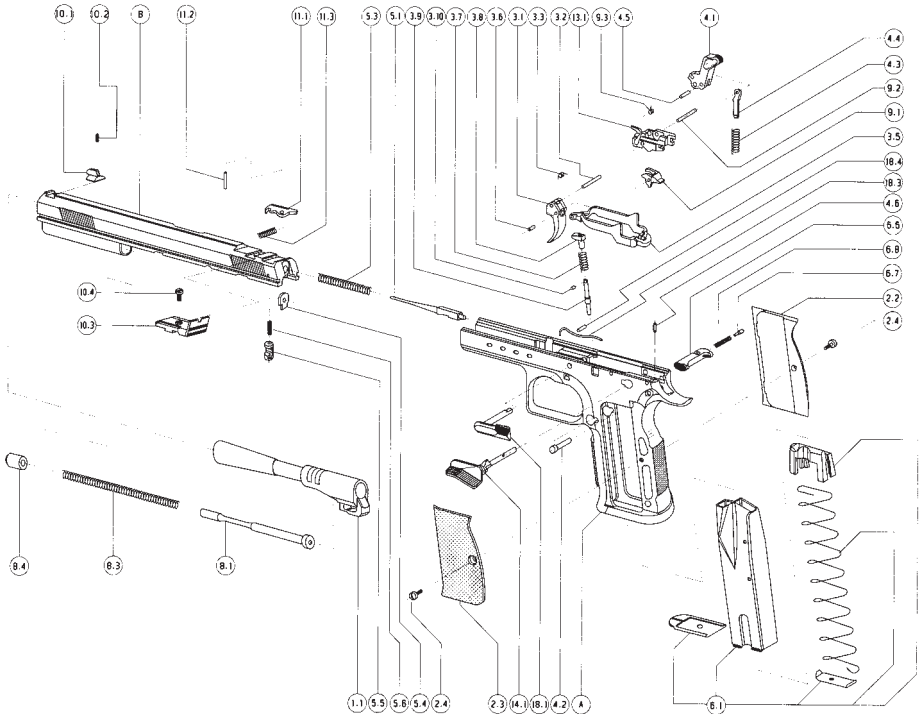
Figure 6

LIMITED



- | | |
|------------------------------|----------------------------------|
| 1.1 BARREL | 6.1 MAGAZINE |
| 2.2 RIGHT GRIP | 6.6 MAGAZINE CATCH |
| 2.3 LEFT GRIP | 6.7 MAGAZINE CATCH PLUNGER |
| 2.4 GRIP SCREWS | 6.8 MAGAZINE CATCH SPRING |
| 3.1 TRIGGER | 8.1 RECOIL SPRING GUIDE |
| 3.2 TRIGGER PIN | 8.3 RECOIL SPRING |
| 3.3 TRIGGER SPRING | 9.1 SEAR |
| 3.5 TRIGGER BAR | 9.2 SEAR PIN |
| 3.6 TRIGGER BAR PIN | 9.3 SEAR SPRING |
| 3.7 TRIGGER BAR SPRING | 10.1 FRONT SIGHT |
| 3.8 TRIGGER BAR GUIDE | 10.2 FRONT SIGHT SCREW |
| 3.9 TRIGGER BAR PLUNGER | 10.3 ADJUSTABLE REAR SIGHT |
| 3.10 TRIGGER BAR PLUNGER PIN | 10.4 ADJUSTABLE REAR SIGHT SCREW |
| 4.1 HAMMER | 11.1 EXTRACTOR |
| 4.2 HAMMER PIN | 11.2 EXTRACTOR PIN |
| 4.3 HAMMER SPRING | 11.3 EXTRACTOR SPRING |
| 4.4 HAMMER STRUT | 13.1 SEAR HOUSING |
| 4.5 HAMMER STRUT PIN | 14.1 SAFETY |
| 4.6 HAMMER PIN PIN | 18.1 SLIDE TOP PIN |
| 5.1 FIRING PIN | 18.3 SLIDE STOP PIN SPRING |
| 5.3 FIRING PIN SPRING | 18.4 SLIDE TOP PIN SPRING PIN |
| 5.4 FIRING PIN RETAINER | A FRAME |
| 5.5 FIRING PIN SAFETY | B SLIDE |
| 5.6 FIRING PIN SAFETY SPRING | |

LIMITED CUSTOM



- 1.1 BARREL
- 2.2 RIGHT GRIP
- 2.3 LEFT GRIP
- 2.4 GRIP SCREWS
- 3.1 TRIGGER
- 3.2 TRIGGER PIN
- 3.3 TRIGGER SPRING
- 3.5 TRIGGER BAR
- 3.6 TRIGGER BAR PIN
- 3.7 TRIGGER BAR SPRING
- 3.8 TRIGGER BAR GUIDE
- 3.9 TRIGGER BAR PLUNGER
- 3.10 TRIGGER BAR PLUNGER PIN
- 4.1 HAMMER
- 4.2 HAMMER PIN
- 4.3 HAMMER SPRING
- 4.4 HAMMER STRUT
- 4.5 HAMMER STRUT PIN
- 4.6 HAMMER PIN PIN
- 5.1 FIRING PIN
- 5.3 FIRING PIN SPRING
- 5.4 FIRING PIN RETAINER
- 5.5 FIRING PIN SAFETY
- 5.6 FIRING PIN SAFETY SPRING

- 6.1 MAGAZINE
- 6.6 MAGAZINE CATCH
- 6.7 MAGAZINE CATCH PLUNGER
- 6.8 MAGAZINE CATCH SPRING
- 8.1 RECOIL SPRING GUIDE
- 8.3 RECOIL SPRING
- 8.4 BUSHING
- 9.1 SEAR
- 9.2 SEAR PIN
- 9.3 SEAR SPRING
- 10.1 FRONT SIGHT
- 10.2 FRONT SIGHT SCREW
- 10.3 ADJUSTABLE REAR SIGHT
- 10.4 ADJUSTABLE REAR SIGHT SCREW
- 11.1 EXTRACTOR
- 11.2 EXTRACTOR PIN
- 11.3 EXTRACTOR SPRING
- 13.1 SEAR HOUSING
- 14.1 SAFETY
- 18.1 SLIDE TOP PIN
- 18.3 SLIDE STOP PIN SPRING
- 18.4 SLIDE TOP PIN SPRING PIN
- A FRAME
- B SLIDE

DISASSEMBLY AND ASSEMBLY OF GOLD CUSTOM “ERIC” | GOLD MATCH

- 1) Field Stripping. DO NOT USE TOOLS. DO NOT pry or hammer on the pistol.
- 2) Pull the hammer back to the full cock position.
- 3) Identify the two takedown marks behind the safety lever on the left side of the slide and frame. Pull the slide back slightly and line up the two marks. HINT: Use the rear sight for handy leverage when lining up the marks. See **Figure 1**.
- 4) Remove the slide stop-takedown lever by pushing on the end sticking out of the right side of the pistol and pull on the lever with your other hand. See **Figures 2a and 2b**.
- 5) Slide the Barrel / Slide Assembly forward and off the receiver. See **Figure 3**.
- 6) After the slide is removed from the frame, hold the slide upside down in your left hand. Put your left thumb on the bottom barrel lug and push the barrel and recoil spring forward. You will see a small hole in the guide rod. With your right hand you will need to put a slave pin in the hole. Then release your hold on the barrel. This will trap the recoil spring, guide and bushing and make it one piece. See **Figures 4a and 4b**.
- 7) Then remove the recoil spring and guide by pulling the unit out toward the breech face. See **Figure 5**. Remember this spring is compressed and only held in by your slave pin.



Figure 1



Figure 2a



Figure 2b



Figure 3



Figure 4a

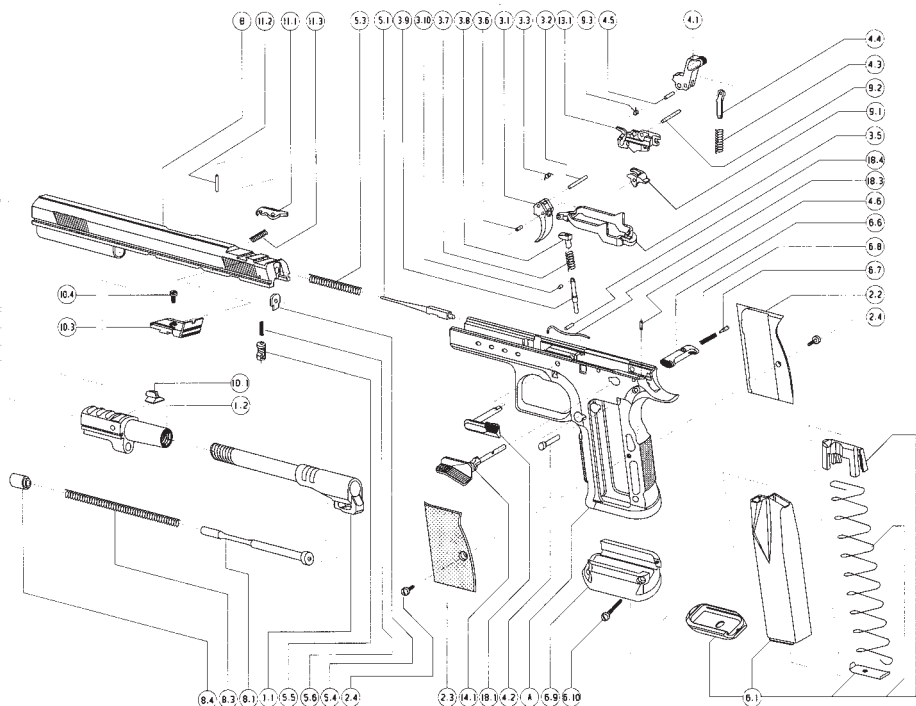


Figure 4b



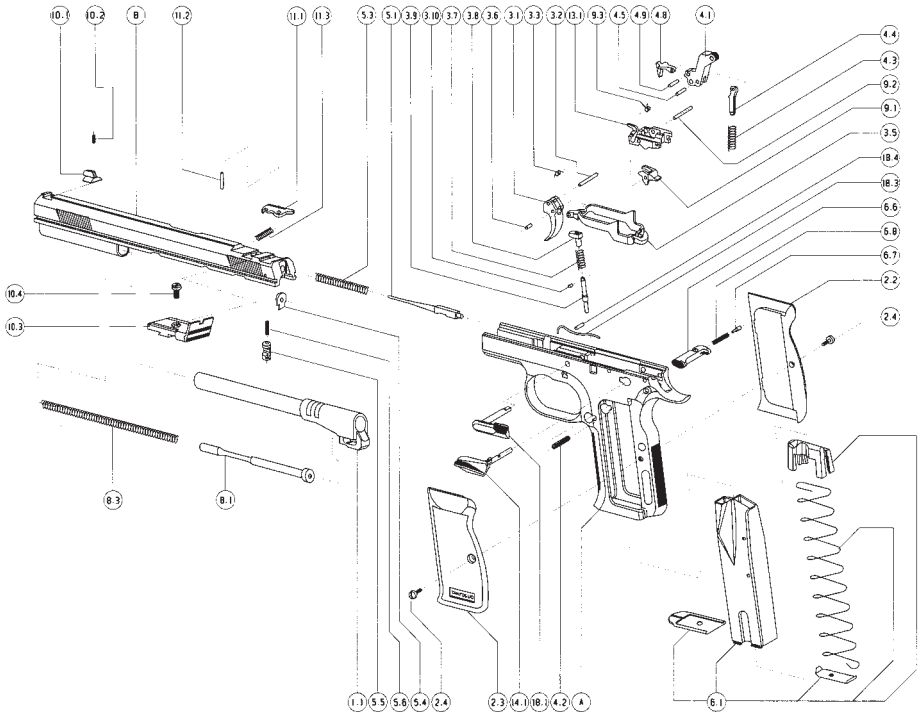
Figure 5

GOLD CUSTOM "ERIC"



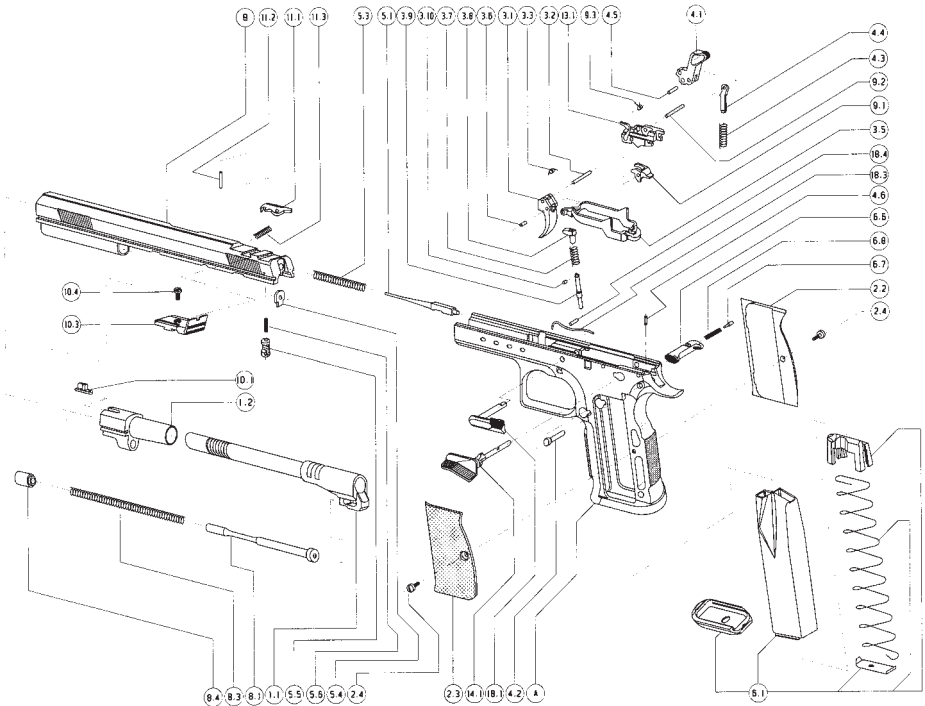
- | | |
|------------------------------|----------------------------------|
| 1.1 BARREL | 6.6 MAGAZINE CATCH |
| 1.2 COMPENSATOR | 6.7 MAGAZINE CATCH PLUNGER |
| 2.2 RIGHT GRIP | 6.8 MAGAZINE CATCH SPRING |
| 2.3 LEFT GRIP | 6.9 MAGAZINE WELL |
| 2.4 GRIP SCREWS | 6.10 MAGAZINE WELL SCREW |
| 3.1 TRIGGER | 8.1 RECOIL SPRING GUIDE |
| 3.2 TRIGGER PIN | 8.3 RECOIL SPRING |
| 3.3 TRIGGER SPRING | 8.4 BUSHING |
| 3.5 TRIGGER BAR | 9.1 SEAR |
| 3.6 TRIGGER BAR PIN | 9.2 SEAR PIN |
| 3.7 TRIGGER BAR SPRING | 9.3 SEAR SPRING |
| 3.8 TRIGGER BAR GUIDE | 10.1 FRONT SIGHT |
| 3.9 TRIGGER BAR PLUNGER | 10.2 FRONT SIGHT SCREW |
| 3.10 TRIGGER BAR PLUNGER PIN | 10.3 ADJUSTABLE REAR SIGHT |
| 4.1 HAMMER | 10.4 ADJUSTABLE REAR SIGHT SCREW |
| 4.2 HAMMER PIN | 11.1 EXTRACTOR |
| 4.3 HAMMER SPRING | 11.2 EXTRACTOR PIN |
| 4.4 HAMMER STRUT | 11.3 EXTRACTOR SPRING |
| 4.5 HAMMER STRUT PIN | 13.1 SEAR HOUSING |
| 4.6 HAMMER PIN PIN | 14.1 SAFETY |
| 5.1 FIRING PIN | 18.1 SLIDE TOP PIN |
| 5.3 FIRING PIN SPRING | 18.3 SLIDE STOP PIN SPRING |
| 5.4 FIRING PIN RETAINER | 18.4 SLIDE TOP PIN SPRING PIN |
| 5.5 FIRING PIN SAFETY | A FRAME |
| 5.6 FIRING PIN SAFETY SPRING | B SLIDE |
| 6.1 MAGAZINE | |

MATCH



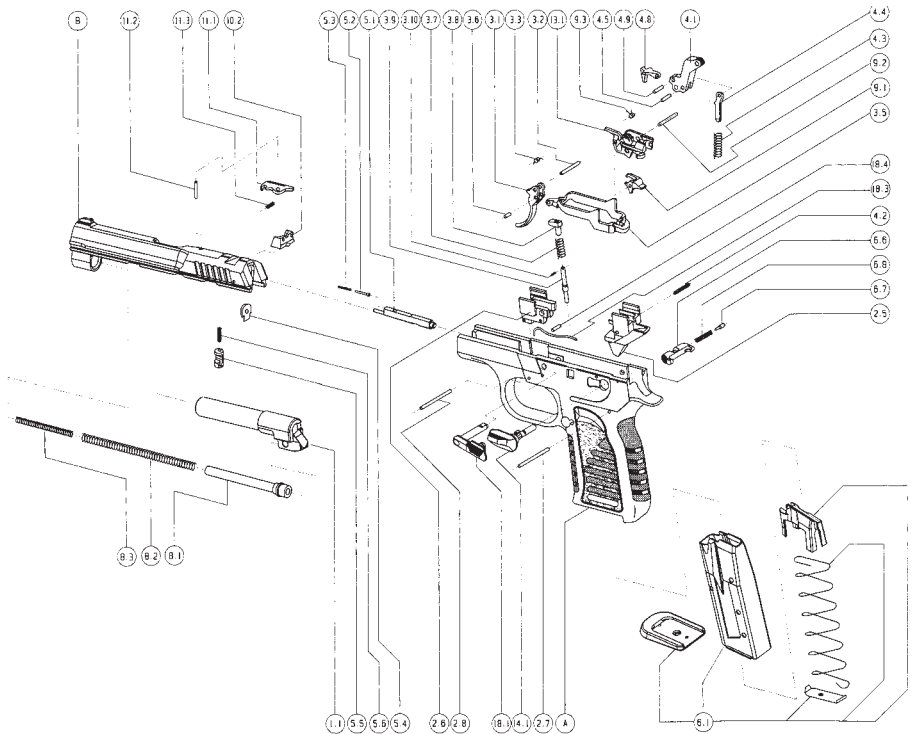
- | | | | |
|------|-------------------------|------|-----------------------------|
| 1.1 | BARREL | 5.6 | FIRING PIN SAFETY SPRING |
| 2.2 | RIGHT GRIP | 6.1 | MAGAZINE |
| 2.3 | LEFT GRIP | 6.6 | MAGAZINE CATCH |
| 2.4 | GRIP SCREWS | 6.7 | MAGAZINE CATCH PLUNGER |
| 3.1 | TRIGGER | 6.8 | MAGAZINE CATCH SPRING |
| 3.2 | TRIGGER PIN | 8.1 | RECOIL SPRING GUIDE |
| 3.3 | TRIGGER SPRING | 8.3 | RECOIL SPRING |
| 3.5 | TRIGGER BAR | 9.1 | SEAR |
| 3.6 | TRIGGER BAR PIN | 9.2 | SEAR PIN |
| 3.7 | TRIGGER BAR SPRING | 9.3 | SEAR SPRING |
| 3.8 | TRIGGER BAR GUIDE | 10.1 | FRONT SIGHT |
| 3.9 | TRIGGER BAR PLUNGER | 10.2 | FRONT SIGHT SCREW |
| 3.10 | TRIGGER BAR PLUNGER PIN | 10.3 | ADJUSTABLE REAR SIGHT |
| 4.1 | HAMMER | 10.4 | ADJUSTABLE REAR SIGHT SCREW |
| 4.2 | HAMMER PIN | 11.1 | EXTRACTOR |
| 4.3 | HAMMER SPRING | 11.2 | EXTRACTOR PIN |
| 4.4 | HAMMER STRUT | 11.3 | EXTRACTOR SPRING |
| 4.5 | HAMMER STRUT PIN | 13.1 | SEAR HOUSING |
| 4.8 | INTERRUPTOR | 14.1 | SAFETY |
| 4.9 | INTERRUPTOR PIN | 18.1 | SLIDE TOP PIN |
| 5.1 | FIRING PIN | 18.3 | SLIDE STOP PIN SPRING |
| 5.3 | FIRING PIN SPRING | 18.4 | SLIDE TOP PIN SPRING PIN |
| 5.4 | FIRING PIN RETAINER | A | FRAME |
| 5.5 | FIRING PIN SAFETY | B | SLIDE |

GOLD MATCH



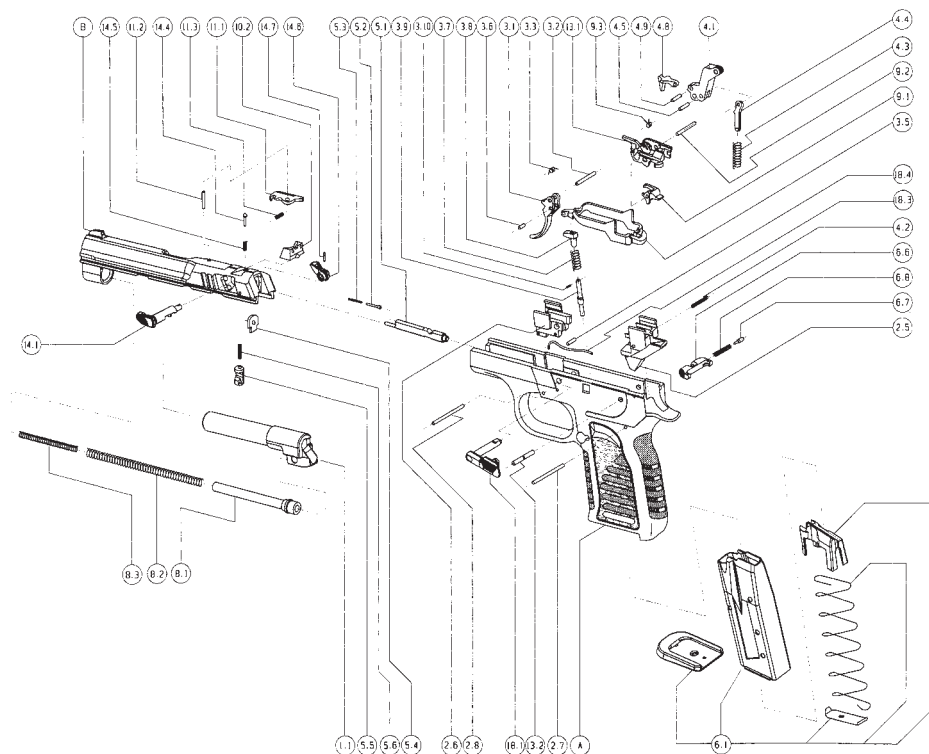
- | | |
|------------------------------|----------------------------------|
| 1.1 BARREL | 6.1 MAGAZINE |
| 1.2 COMPENSATOR | 6.6 MAGAZINE CATCH |
| 2.2 RIGHT GRIP | 6.7 MAGAZINE CATCH PLUNGER |
| 2.3 LEFT GRIP | 6.8 MAGAZINE CATCH SPRING |
| 2.4 GRIP SCREWS | 8.1 RECOIL SPRING GUIDE |
| 3.1 TRIGGER | 8.3 RECOIL SPRING |
| 3.2 TRIGGER PIN | 8.4 BUSHING |
| 3.3 TRIGGER SPRING | 9.1 SEAR |
| 3.5 TRIGGER BAR | 9.2 SEAR PIN |
| 3.6 TRIGGER BAR PIN | 9.3 SEAR SPRING |
| 3.7 TRIGGER BAR SPRING | 10.1 FRONT SIGHT |
| 3.8 TRIGGER BAR GUIDE | 10.2 FRONT SIGHT SCREW |
| 3.9 TRIGGER BAR PLUNGER | 10.3 ADJUSTABLE REAR SIGHT |
| 3.10 TRIGGER BAR PLUNGER PIN | 10.4 ADJUSTABLE REAR SIGHT SCREW |
| 4.1 HAMMER | 11.1 EXTRACTOR |
| 4.2 HAMMER PIN | 11.2 EXTRACTOR PIN |
| 4.3 HAMMER SPRING | 11.3 EXTRACTOR SPRING |
| 4.4 HAMMER STRUT | 13.1 SEAR HOUSING |
| 4.5 HAMMER STRUT PIN | 14.1 SAFETY |
| 4.6 HAMMER PIN PIN | 18.1 SLIDE TOP PIN |
| 5.1 FIRING PIN | 18.3 SLIDE STOP PIN SPRING |
| 5.3 FIRING PIN SPRING | 18.4 SLIDE TOP PIN SPRING PIN |
| 5.4 FIRING PIN RETAINER | A FRAME |
| 5.5 FIRING PIN SAFETY | B SLIDE |
| 5.6 FIRING PIN SAFETY SPRING | |

FT 7F (cal. 32ACP) | FT 9F (cal.380 ACP) - Plastic frame – “F” version -



- | | |
|------------------------------|-------------------------------|
| 1.1 BARREL | 5.5 FIRING PIN SAFETY |
| 2.5 REAR INSERT | 5.6 FIRING PIN SAFETY SPRING |
| 2.6 FRONT INSERT | 6.1 MAGAZINE |
| 2.7 REAR INSERT PIN | 6.6 MAGAZINE CATCH |
| 2.8 FRONT INSERT PIN | 6.7 MAGAZINE CATCH PLUNGER |
| 3.1 TRIGGER | 6.8 MAGAZINE CATCH SPRING |
| 3.2 TRIGGER PIN | 8.1 RECOIL SPRING GUIDE |
| 3.3 TRIGGER SPRING | 8.2 RECOIL SPRING OUTER |
| 3.5 TRIGGER BAR | 8.3 RECOIL SPRING INNER |
| 3.6 TRIGGER BAR PIN | 9.1 SEAR |
| 3.7 TRIGGER BAR SPRING | 9.2 SEAR PIN |
| 3.8 TRIGGER BAR GUIDE | 9.3 SEAR SPRING |
| 3.9 TRIGGER BAR PLUNGER | 10.2 REAR SIGHT |
| 3.10 TRIGGER BAR PLUNGER PIN | 11.1 EXTRACTOR |
| 4.1 HAMMER | 11.2 EXTRACTOR PIN |
| 4.2 HAMMER PIN | 11.3 EXTRACTOR SPRING |
| 4.3 HAMMER SPRING | 13.1 SEAR HOUSING |
| 4.4 HAMMER STRUT | 13.2 SEAR HOUSING PIN |
| 4.5 HAMMER STRUT PIN | 14.1 SAFETY |
| 4.8 INTERRUPTOR | 18.1 SLIDE TOP PIN |
| 4.9 INTERRUPTOR PIN | 18.3 SLIDE STOP PIN SPRING |
| 5.1 FIRING PIN | 18.4 SLIDE TOP PIN SPRING PIN |
| 5.2 FIRING PIN SPRING GUIDE | A FRAME |
| 5.3 FIRING PIN SPRING | B SLIDE |
| 5.4 FIRING PIN RETAINER | |

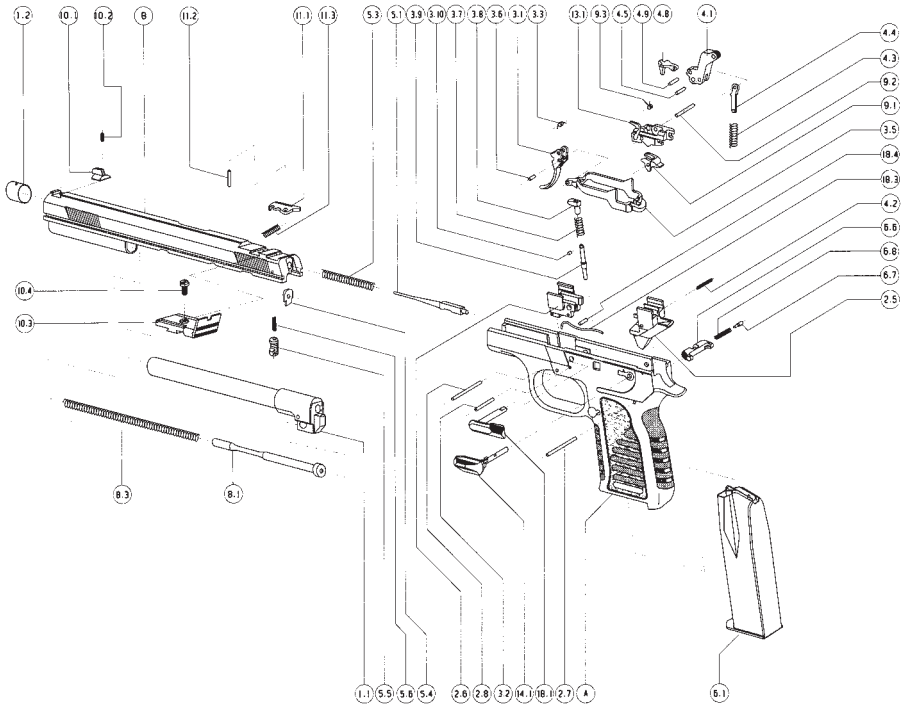
FT 7R (cal. 32ACP) | FT 9R (cal.380 ACP) - Plastic Frame – “R” version -



- 1.1 BARREL
- 2.5 REAR INSERT
- 2.6 FRONT INSERT
- 2.7 REAR INSERT PIN
- 2.8 FRONT INSERT PIN
- 3.1 TRIGGER
- 3.2 TRIGGER PIN
- 3.3 TRIGGER SPRING
- 3.5 TRIGGER BAR
- 3.6 TRIGGER BAR PIN
- 3.7 TRIGGER BAR SPRING
- 3.8 TRIGGER BAR GUIDE
- 3.9 TRIGGER BAR PLUNGER
- 3.10 TRIGGER BAR PLUNGER PIN
- 4.1 HAMMER
- 4.2 HAMMER PIN
- 4.3 HAMMER SPRING
- 4.4 HAMMER STRUT
- 4.5 HAMMER STRUT PIN
- 4.8 INTERRUPTOR
- 4.9 INTERRUPTOR PIN
- 5.1 FIRING PIN
- 5.2 FIRING PIN SPRING GUIDE
- 5.3 FIRING PIN SPRING
- 5.4 FIRING PIN RETAINER
- 5.5 FIRING PIN SAFETY
- 5.6 FIRING PIN SAFETY SPRING

- 6.1 MAGAZINE
- 6.6 MAGAZINE CATCH
- 6.7 MAGAZINE CATCH PLUNGER
- 6.8 MAGAZINE CATCH SPRING
- 8.1 RECOIL SPRING GUIDE
- 8.2 RECOIL SPRING OUTER
- 8.3 RECOIL SPRING INNER
- 9.1 SEAR
- 9.2 SEAR PIN
- 9.3 SEAR SPRING
- 10.2 REAR SIGHT
- 11.1 EXTRACTOR
- 11.2 EXTRACTOR PIN
- 11.3 EXTRACTOR SPRING
- 13.1 SEAR HOUSING
- 13.2 SEAR HOUSING PIN
- 14.1 FIRING PIN SAFETY (LEFT)
- 14.4 SEAR SAFETY
- 14.5 SEAR SAFETY SPRING
- 14.6 FIRING PIN SAFETY (RIGHT)
- 14.7 FIRING PIN SAFETY PIN
- 18.1 SLIDE TOP PIN
- 18.3 SLIDE STOP PIN SPRING
- 18.4 SLIDE TOP PIN SPRING PIN
- A FRAME
- B SLIDE

FORCE 22 L PLASTIC FRAME CAL.22LR



- | | |
|------------------------------|----------------------------------|
| 1.1 BARREL | 5.6 FIRING PIN SAFETY SPRING |
| 1.2 BARREL BUSHING | 6.1 MAGAZINE |
| 2.5 REAR INSERT | 6.6 MAGAZINE CATCH |
| 2.6 FRONT INSERT | 6.7 MAGAZINE CATCH PLUNGER |
| 2.7 REAR INSERT PIN | 6.8 MAGAZINE CATCH SPRING |
| 2.8 FRONT INSERT PIN | 8.1 RECOIL SPRING GUIDE |
| 3.1 TRIGGER | 8.3 RECOIL SPRING |
| 3.2 TRIGGER PIN | 9.1 SEAR |
| 3.3 TRIGGER SPRING | 9.2 SEAR PIN |
| 3.5 TRIGGER BAR | 9.3 SEAR SPRING |
| 3.6 TRIGGER BAR PIN | 10.1 FRONT SIGHT |
| 3.7 TRIGGER BAR SPRING | 10.2 FRONT SIGHT SCREW |
| 3.8 TRIGGER BAR GUIDE | 10.3 ADJUSTABLE REAR SIGHT |
| 3.9 TRIGGER BAR PLUNGER | 10.4 ADJUSTABLE REAR SIGHT SCREW |
| 3.10 TRIGGER BAR PLUNGER PIN | 11.1 EXTRACTOR |
| 4.1 HAMMER | 11.2 EXTRACTOR PIN |
| 4.2 HAMMER PIN | 11.3 EXTRACTOR SPRING |
| 4.3 HAMMER SPRING | 13.1 SEAR HOUSING |
| 4.4 HAMMER STRUT | 14.1 SAFETY |
| 4.5 HAMMER STRUT PIN | 18.1 SLIDE TOP PIN |
| 4.8 INTERRUPTOR | 18.3 SLIDE STOP PIN SPRING |
| 4.9 INTERRUPTOR PIN | 18.4 SLIDE TOP PIN SPRING PIN |
| 5.1 FIRING PIN | A FRAME |
| 5.2 FIRING PIN SPRING GUIDE | B SLIDE |
| 5.5 FIRING PIN SAFETY | |

MANUFACTURER'S WARNING:

This firearm was manufactured to properly perform with the original parts as designed. It is your duty to make sure any parts you buy are correctly installed and that neither replacements nor originals are altered or changed. Your gun is a complex tool with many parts that must relate correctly to other parts for safe and accurate operation. Putting a gun together wrong or with modified parts can result in a damaged gun, or personal injury or death to you or others. Always let a qualified gunsmith work on your gun or at least, check any work not performed by a gunsmith. Firearms safety is your primary concern. **THE GUN OWNER MUST ACCEPT FULL RESPONSIBILITY FOR THE CORRECT REASSEMBLY AND FUNCTIONING OF THE FIREARM AFTER ANY DISASSEMBLY OR REPLACEMENT OF PARTS.**

TO CLEAN AND MAINTAIN YOUR PISTOL:

A) Follow procedures for unloading pistol as described previously.

B) Follow procedures for disassembly of pistol as described previously.

C) Materials needed to clean this pistol are: a cleaning rod, cotton bore patches, brass bore brush, powder solvent, a small soft brush and good quality gun oil.

WARNING: Lead or lead compounds are known to cause cancer, birth defects, reproductive toxicity, and other serious physical injury. Those who clean firearms should take protective measures to avoid contact or exposure to such chemicals.

D) Using the bore brush with powder solvent, scrub the interior of the barrel and chambers to remove any powder and lead residue in the bore. Always and lastly, swab the interior of the barrels with cotton patch with gun oil to coat and protect the bore and chambers from rust and corrosion.

E) Any powder fouling on the firing wall, barrel, etc. can be easily cleaned with a brush and powder solvent.

F) All external surfaces should be wiped down with a light coat of rust preventative. Avoid using too much oil as powder, dust or other foreign material may get trapped in the oil. This could lead to congealed deposits which may interfere with the safe and reliable operation of the pistol.

G) USE CAUTION while using solvents in gun bore cleaning. Prolonged or excess contact with solvents can damage the gun's bluing and finish. Be sure to wipe away all excess solvent and then lubricate with oil.

H) A gun should be cleaned after firing. In addition, external parts should be wiped with an oiled cloth after handling. A light oil is ordinarily all that is necessary in cleaning if the gun has not been fired or fired very little. If a gun is used frequently, it must be cleaned after each firing and regularly serviced by a professional gunsmith. If the gun has been stored, remove all excess oil and/or grease before firing. Always check to be sure that no cleaning patch or other obstruction remains in the bore or chambers before firing.

DANGER – AMMUNITION WARNING

Firearms may be damaged and serious personal injury or death to the shooter or bystanders may result from any condition which contributes to the generation of excessive pressure or uncontrolled release of gas within the firearm. Such adverse conditions can be caused by bore or chamber obstruction, propellant powder overloads or by defective, incorrect or improperly loaded and assembled cartridge components. Even the strongest firearm can be blown up as a result of excessive pressure. It is extremely dangerous to use a cartridge whose pressure is greater than that developed by cartridges loaded to industry standards.

AMMUNITION (CARTRIDGES) NOTICE

We specifically disclaim responsibility for any damage, personal injury or death occurring in connection with or as the result of the use of Tanfoglio pistols with faulty, nonstandard, remanufactured, hand-loaded or reloaded ammunition, or with cartridges other than factory cartridges for which the firearm was originally chambered.

LUBRICATION WARNING

Firing a pistol with oil, grease or any other material even partially obstructing the bore may result in damage to the pistol and personal injury to the shooter and those nearby. Do not spray or apply lubricants directly on ammunition. If the primer or powder charge of a cartridge is affected by the lubricant, they may not fully ignite yet the energy from the primer and/or powder may be sufficient to push the projectile or wad into the bore where it may become lodged. Firing a subsequent cartridge into the obstructed bore will damage the pistol and may cause personal injury to the shooter and those nearby. Use lubricants properly. You are responsible for the proper care and maintenance of your firearm and ammunition.

WARRANTY

This Tanfoglio firearm is warranted to the original retail customer for 2 years from date of purchase against defects in material and workmanship. All parts and labor or replacement at our option are covered. Transportation to and from our repair facilities, government fees, damage caused by failure to perform normal maintenance, damage due to use of high velocity, high pressure, reloaded or other nonstandard ammunition, or any unauthorized repair, modification, misuse, abuse, or alteration of the product is not covered by this Limited Warranty.

Any implied warranties, including the implied warranties of merchantability and fitness for a particular purpose, are limited to 2 years from date of original retail purchase. Consequential or incidental damages and/or expenses, or any other expenses are not covered by this warranty.

To obtain warranty performance send us the Warranty Coupon that you can find in the next page and contact Tanfoglio official Distributor of your Country.

WARNING—ALTERATIONS OR MODIFICATIONS

Altering or modifying parts and/or internal safeties is dangerous and will void the warranty. This pistol was manufactured to perform properly with the original parts as designed. It is your duty to make sure any parts you buy are made for this firearm and are installed correctly and that neither the replacements nor originals are altered or changed. Your gun is a complex precision tool with many parts that must relate correctly to other parts in order for proper and safe operation. Putting a gun together wrong or with incorrect or modified parts can result in a damaged gun, danger, and personal injury or death to you and others through malfunction. Always have a qualified gunsmith work on your gun or at least check any work not performed by a gunsmith.

YOUR OWNER'S MANUAL

Always keep this manual with your firearm. Make sure you understand all the warnings, operation instructions and safety procedures. When you lend, give or sell the firearm, be sure this manual goes with it. You can get a copy of this manual from Fratelli Tanfoglio S.n.c. upon request: contact us at info@tanfoglio.it or download it from our web site www.tanfoglio.it, download area.

WARRANTY COUPON

Please fill the part below, send a copy to:
FRATELLI TANFOGLIO S.N.C.
Via Valtrompia, 39/41
25063 Gardone Val Trompia (BS) ITALY

This is necessary to get the 2 years pistol Warranty

**IN ORDER TO GIVE US YOUR OPINION ABOUT OUR GOODS PLEASE
VISIT OUR WEB SITE WWW.TANFOGLIO.IT AND VOTE US!**



NAME _____

SURNAME _____

ADDRESS _____

POST CODE _____ CITY _____

COUNTRY _____

TANFOGLIO MODEL _____

SERIAL NUMBER _____

DATE AND PLACE OF PURCHASE _____

WARNING

Children are attracted to and can operate firearms that can cause severe injuries or death.

Prevent child access by always keeping guns locked away and unloaded when not in use. If you keep a loaded firearm where a child obtains and improperly uses it, you may be fined or sent to prison.

Manufacturer:



**FRATELLI TANFOGLIO S.N.C.
VIA VALTROMPIA 39 | 41
25063 GARDONE V.T.
BRESCIA | ITALY**

**TEL 0039 030 8910361 | 0039 030 8910183
INFO@TANFOGLIO.IT**

WWW.TANFOGLIO.IT