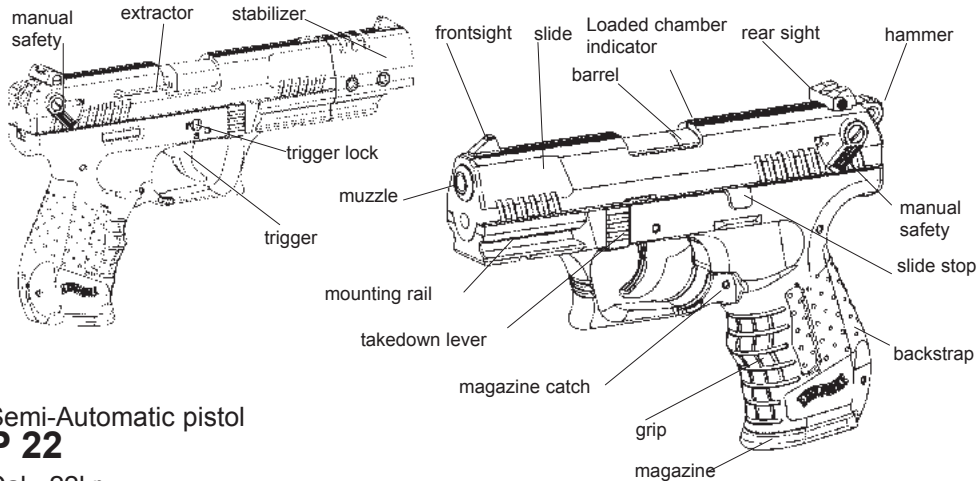


WALTHER

P22

WALTHER



Semi-Automatic pistol
P 22

Cal. .22l.r.

Operating instructions

USA

Important instructions for the use of firearms

It should be remembered that even the safest gun is potentially dangerous to you and others when it is not properly handled.

First of all read and understand the operating instructions and learn how the weapon works and is to be handled. Always treat an unloaded weapon as if it were loaded.



Always bear in mind: Keep your finger away from the trigger unless you really intend to fire. Always keep your weapon pointing in a safe direction so that you and others cannot be endangered.

Do not use force when disassembling or assembling your weapon. A gun can only be safe as long as it is in a flawless technical condition.

Incorrect handling and lack of maintenance may lead to malfunctions and reduced safety of the weapon.

Always be aware of possible risks from dropping your pistol or from corrosion or other external influences. In such cases, have your weapon inspected by a competent gunsmith before using it again.

Unauthorized modifications to the mechanism, damages caused by the application of force and modifications effected by third parties will lead to the manufacturer not to assume any liability. Only an authorized and qualified gunsmith is allowed to work on a gun.

Table of contents

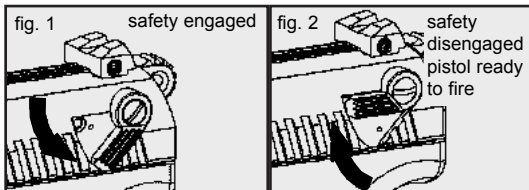
page

Components.....	1
General.....	2
Operation of safeties.....	3-4
Inspections	5
Loading the pistol.....	6
Insertion of the first cartridge.....	6
Firing.....	7
Decocking the hammer.....	7
Pistol with empty magazine.....	7
Unloading the pistol.....	8
Disassembly and reassembly of the pistol.....	8
Adaptation of the grip.....	9
Sights.....	9
Changing the barrel.....	10
Cleaning.....	11
Storage.....	12
Repairs	12
Warranty	12
Technical data.....	13
Parts/exploded view.....	14/15
Special accessories.....	16

Operation of the safeties (safety devices)

1. Manual safety

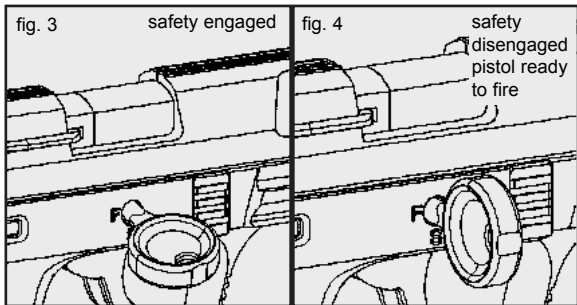
To engage the safety, turn the safety lever, as shown in fig. 1, to the lower position.



CAUTION: It should be made a common habit to leave the manual safety engaged until you really intend to fire.

2. Trigger lock

The enclosed key is used to lock the trigger mechanism of the P 22. Without the key it is impossible to disengage the safety. Use this feature to prevent unauthorized persons from using your weapon.



3. Drop safety (automatic internal safety)

The drop safety (firing pin safety) is only disengaged when the trigger is pulled. If, after a fall, the hammer was released, then the firing pin would not be activated.

4. Magazine safety

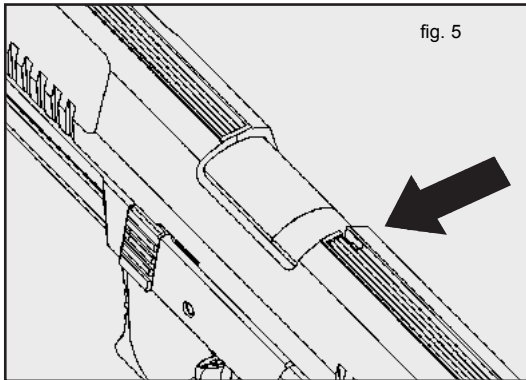
Without the magazine inserted, the magazine safety of the P 22 prevents a round to be fired. A cartridge in the chamber cannot be ignited.



Always inspect the chamber of your pistol after the magazine has been removed from the gun. Make sure that no cartridge is left in the chamber after the safety has been engaged.

5. Loaded chamber indicator

A small slot in the upper part of the slide allows for an inspection of the chamber to see if a cartridge has been loaded (fig. 5).



CAUTION:

All safety devices of the weapon are mechanical safeties, and the shooter is the only one who can engage and disengage these safeties.

NEVER RELY SOLELY ON MECHANICAL SAFETIES - always be extremely careful and avoid situations which could lead to an accident.

Inspections before use



Make sure that the pistol is unloaded (chamber cleared, barrel clear of any obstructions, magazine empty) for inspection and that the safety is engaged.

Functional inspection

1. Remove the magazine, retract the slide. After the slide has been released, the mainspring must press the slide fully forward.
2. Insert the empty magazine, retract the slide. The slide must be caught in its rearmost position.
3. Remove the magazine, slightly retract the slide. After the slide has been released, the mainspring must press the slide fully forward.
4. To decock the gun, insert the empty magazine, hold the hammer with your thumb, pull the trigger and let the hammer slowly travel forward.
5. Insert the empty magazine, fully retract the slide. The slide must be caught in its rearmost position.
6. Press down the slide stop. The mainspring must press the slide fully forward. Decock the hammer.
7. Remove the magazine, pull the trigger. The hammer must not fall.

Inspection after use



Make sure that the pistol is unloaded (chamber and barrel must be clear) after use, that the magazine is empty and that the safety is engaged. Decock the hammer.



CAUTION: Read and understand the operating instructions thoroughly before you load your gun.
Malfunction may occur when ammunition with low propellant charge is fired.

Loading the pistol

Engage safety.

Press magazine catch and remove empty magazine (fig. 6). Use the side-mounted button to press the follower down and insert a cartridge under the magazine lips (fig. 7). Do not use force. Damaged magazine lips will cause malfunctions and will render the weapon useless. Tap the back of the loaded magazine against the palm of your hand. Properly positioned cartridges inside the magazine help to prevent stoppages. When a magazine is to be emptied, remove the cartridges one after the other by pushing them to the front side of the magazine. Push the loaded magazine into the magazine well until the magazine catch locks it.

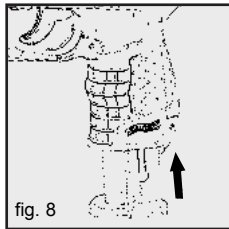
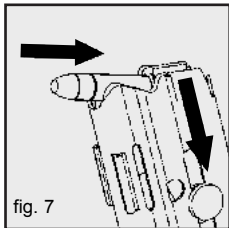
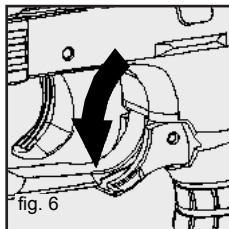
Loading the chamber with the first cartridge

Pick up the gun with your shooting hand, hold it at an angle of approx. 45 degrees and point the muzzle in a safe direction. Use other hand to retract slide. release slide. The slide travels forward and inserts the first round into the chamber, the hammer is now cocked. Leave the safety engaged until you really intend to fire.



CAUTION! Your gun is now ready to fire. Regard safety instructions, keep shooting finger away from trigger until you really intend to fire.

If you do not fire your gun immediately after loading it, decock hammer.



Firing

You may fire this pistol in two different ways: Double action or single action

To fire it "double action" means that the gun is loaded but the hammer is not cocked. You will have to fully pull the trigger to fire a round.

To fire it "single action" means that the gun is loaded and that the hammer is manually cocked before firing. The action of the slide then automatically reloads the pistol and cocks the hammer.

Decocking the hammer.

Engage the safety. Hold the hammer with your thumb, pull the trigger and let the hammer slowly travel forward.



Keep the pistol pointing in a safe direction when decocking it so that no other persons are endangered.

Pistol with empty magazine

After the last round was fired, the slide stop holds the slide in its opened position. Engage the safety.

In case you intend to commence shooting, replace empty magazine by a full one. Press the slide stop lever (fig. 9), the slide will travel forward and load the chamber with the first round. Keep your weapon in your shooting hand and keep it pointing in a safe direction so that there is no danger for other persons.



CAUTION! The pistol is ready to fire. Regard safety instructions and leave your shooting finger off the trigger.

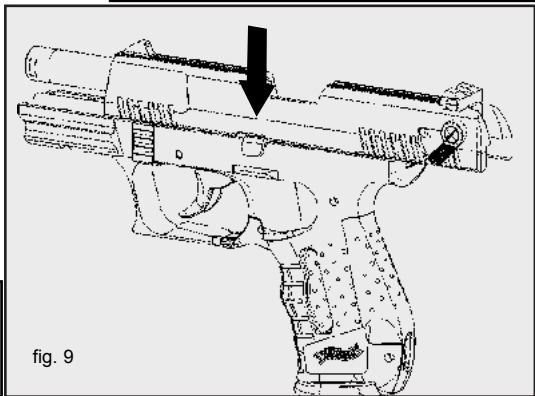


fig. 9

If shooting is not to commence, engage safety, remove magazine and inspect the chamber, it must be clear (fig. 10). Close breech and decock hammer.

Unloading your pistol

Engage safety. Remove magazine and retract slide. The round in the chamber is extracted and ejected.



Make a visual inspection of the barrel - it must be clear!

Allow slide to travel forward and decock hammer.

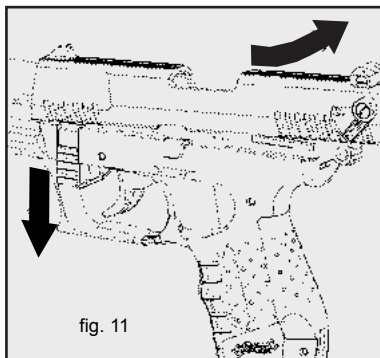
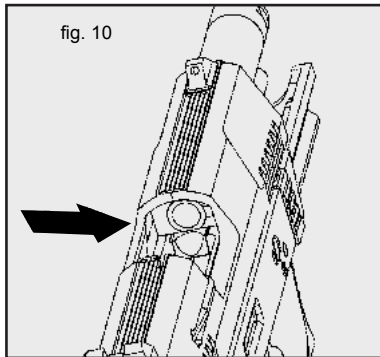
Disassembly and reassembly of the pistol

It is not necessary to strip the pistol any further as is described in this manual. Further disassembly, improper assembly and disregard of the instructions will lead to loss of warranty, and under no circumstances will the manufacturer then be liable for damages to persons or property.



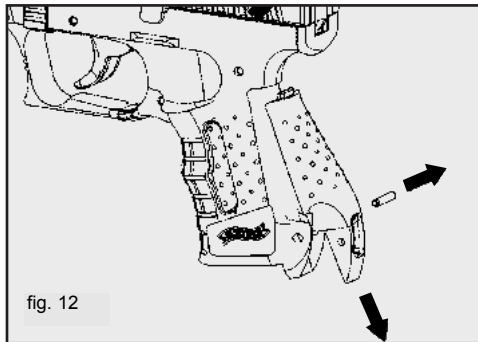
To do so, engage the safety, remove the magazine and inspect the weapon, it must be unloaded.

With the 5" version first remove the stabilizer (see page 11) Press the takedown lever down and cock the hammer. Fully retract the slide, lift its rear section and push slide forward off the receiver. Remove guidance rod. Assembly of the gun is in reverse order.



Adaptation of the grip

In order to adapt the grip of the weapon to your hand, the backstrap of the pistol can be changed. Remove the pin (as shown in fig. 12) with the tool, change the backstrap and re-insert the pin afterwards.



Sights

The front sight is interchangeable for elevation adjustment, and the sight is adjustable for windage.

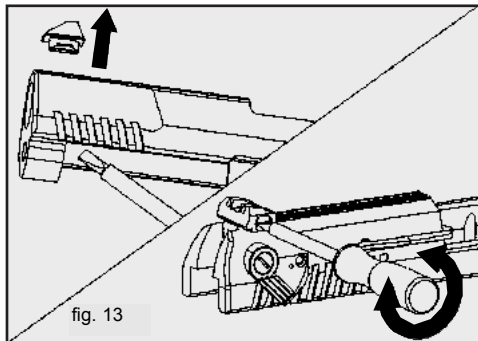
Windage adjustment:

Turn screw on the sight to the right if weapon fires to the right, turn it to the left if weapon fires to the left.

Elevation adjustment:

Elevation adjustment is changed by mounting front sights of different height. If weapon fires too low, a lower front sight is to be mounted, if it fires too high, a higher front sight is to be mounted.

To change the front sight, use a screwdriver to press it out of its seat on the slide.



Interchangeable barrel

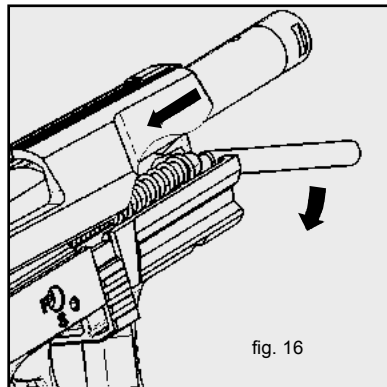
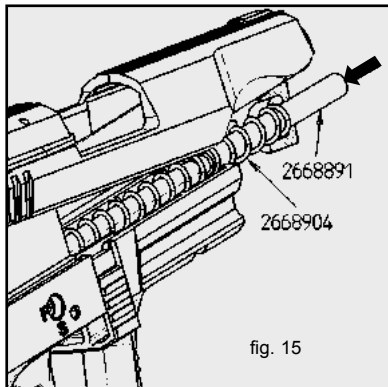
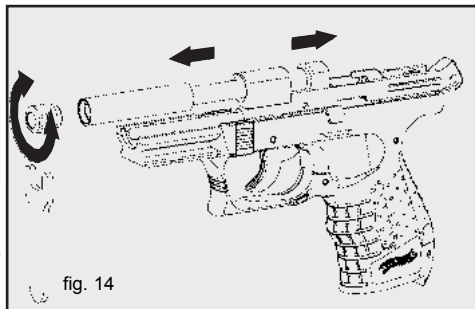
Additional 5 inch or 3,4 inch barrel available as accessory.
(see page 16)



Prior to the barrel change, engage the safety, remove the magazine and make sure that the weapon is unloaded.

Push the takedown lever down, cock the hammer and remove the slide.

Use the enclosed spanner to release the barrel nut. Remove the barrel sleeve and pull the barrel to the rear from the receiver.



Assembly is in reverse order.

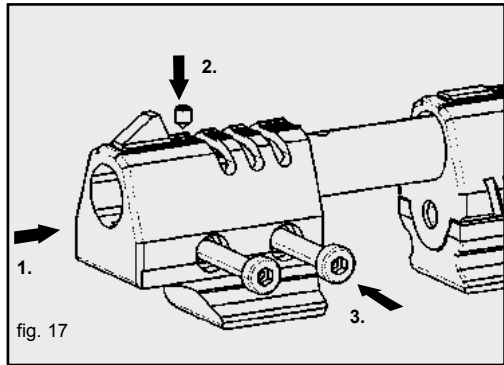
Make sure that the web on the receiver bridge is embedded in the notch of the barrel sleeve.

Install mainspring no. 2668904. For running the slide onto the receiver, use the mounting pin no. 2668891 (fig. 15/16).

Mount the stabilizer, fix it with the worm screw and jam it with the stabilizer screws. (fig. 17)

The front sight on the slide is to be replaced by a plug (2661314).

To disassemble the stabilizer first remove the worm screw (fig. 17/part no. 2) then release the stabilizer screws (fig. 17/part no. 3). Now remove the stabilizer.



Cleaning

In order to keep the weapon functional and to extend its service life, it should be cleaned and maintained at regular intervals.



Engage the safety, remove the magazine, open the slide and inspect the chamber.

Disassemble the weapon, clean fouled parts of breech, magazine lips, follower and receiver with a brush and a cloth. Clean the barrel with an oil-soaked brush and then dry it with cleaning patches, always begin at the chamber. Repeat these steps until barrel is clean. Apply a thin coat of oil to all metal parts. Reassemble gun and check for proper function.

Storage



Never leave a loaded pistol unattended!

Always keep and store your pistol in unloaded condition with the safety engaged.

Keep Pistol away from children and unauthorized persons. Weapon and ammunition are to be stored separately.

Repair of Walther-weapons

CAUTION! A weapon which fails to function properly is dangerous. It should be safely kept in a way that prevents its use before it is repaired. It is difficult to repair a weapon, and improper assembly can lead to dangerous malfunctions.



Only let an authorized and qualified gunsmith inspect and repair your weapon!

Warranty for Walther-weapons

Within the first year after the date of purchase, the Walther company will repair or replace your defective weapon free of costs provided the defect was not caused by own fault. Please hand the weapon over to an authorized dealer, describe the problem and enclose a proof of purchase.



IMPORTANT! When transporting a firearm, make sure that it is unloaded and that the safety is engaged.

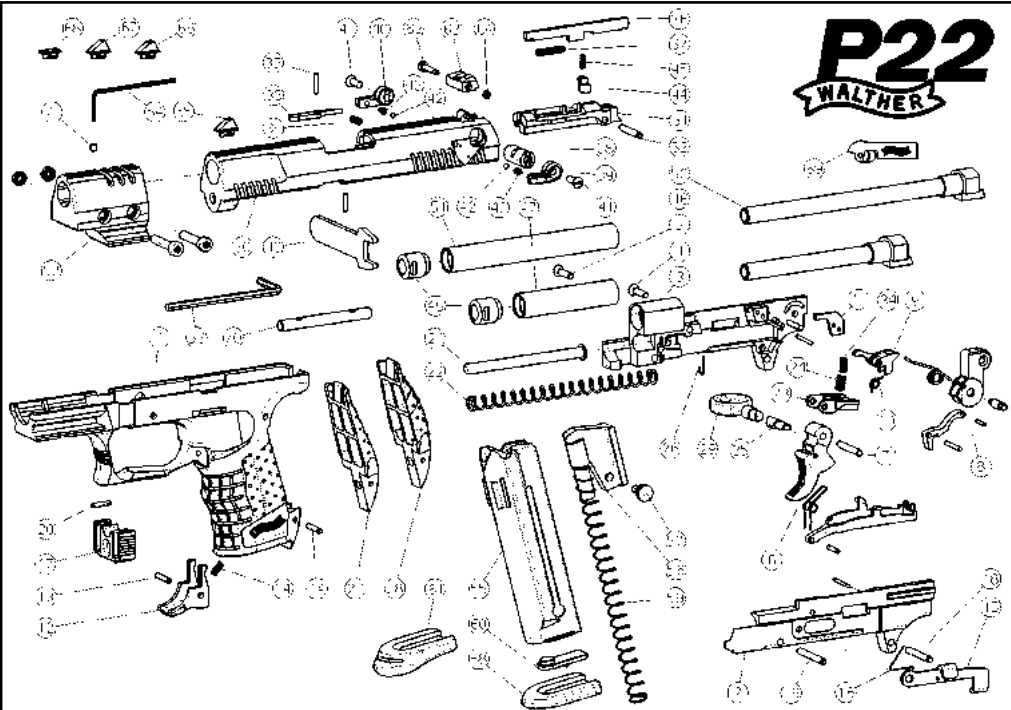
Technical data			
caliber	.22 l.r.		
action	blowback		
trigger	DA/ SA		
trigger weight, normal (single action)	approx. 77.6 ounce	/	ca. 2.2 kg
trigger weight (double action)	approx. 197.5 ounce	/	ca. 5.6 kg
trigger travel (single action)	approx. 0.16 inch	/	ca. 4mm
trigger travel (double action)	approx. 0.63 inch	/	ca. 16mm
magazine capacity	10 rounds		
dimensions (length/height/width)	6.26/4.49/1.14 inch (7.84/4.49/1.14 inch)	/ /	159/114/29 mm (199/114/29 mm)
barrel length	3.43 inch (5 inch)	/	87 mm (127 mm)
sight length	5.12 inch (6.7 inch)	/	130 mm (170 mm)
width of rear sight notch	0.18 inch	/	4.5 mm
front sight width	0.14 inch	/	3.6 mm
weight (without magazine)	15.2 ounce (18.5 ounce)	/	430 g (525 g)
weight magazine (empty)	1.8 ounce	/	50 g

Designation of components

Pos.	designation	article no.	Pos.	designation	article no.	Pos.	designation	article no.
1	receiver, polymer	266 04 82	25	trigger lock	266 08 22	48	barrel nut	266 10 63
2	sideplate, left	267 04 61	26	trigger lock spring	266 08 31	49	spanner	266 10 71
3	sideplate, right	267 04 53	27	backstrap	266 08 49	50	barrel 5 inch	266 10 80
4	stove bolt	266 05 12	28	backstrap, large	266 08 57	51	barrel sleeve, long	266 10 98
5	stove bolt	266 97 22	29	key for trigger lock	266 08 65	52	stabilizer assembly	267 04 70
6	trigger assembly	267 04 37	30	slide	266 08 73	53	allen key	218 98 01
7	straight pin	266 05 47	31	breech block	266 08 81	54	allen key	266 84 91
8	hammer assembly	267 04 45	32	dowel pin	266 08 90	55	magazine body	266 11 36
9	sear	266 06 44	33	extractor	266 09 03	56	follower	266 11 44
10	sear spring	266 06 52	34	spring	266 09 11	57	magazine button	266 11 52
11	ejector	266 06 79	35	pin	266 09 20	58	magazine butt plate	266 11 61
12	magazine catch	266 06 95	36	firing pin	266 09 38	59	magazine spring	266 11 79
13	straight pin	266 84 75	37	firing pin spring	266 09 46	60	butt plate holder	299 11 87
14	dowel pin	266 07 17	38	safety block	266 09 54	61	magazine butt plate, large	266 12 41
15	slide stop lever	266 07 25	39	safety lever, left	266 09 62	62	rear sight	267 04 88
16	slide stop spring	266 07 33	40	safety lever, right	266 09 71	63	rear sight screw	266 12 68
17	takedown lever	266 07 41	41	screw	266 09 89	64	washer	266 12 76
18	dowel pin	266 07 50	42	ball for safety lever	266 09 97	65	front sight 3	267 04 96
19	dowel pin	266 07 68	43	spring for sayfty lever	267 08 10	66	front sight 2	267 05 00
20	retaining pin	266 07 76	44	firing pin safety	266 10 04	67	front sight 4	267 05 18
21	spring guidance rod	266 07 84	45	spring	266 10 12	68	filler plug	266 13 14
22	mainspring	266 89 04	46	barrel 3,4 inch	266 10 47	69	simulating divice	260 83 32
23	magazine safety	266 08 06	47	barrel sleeve	266 10 55	70	mounting pin	266 88 91
24	magazine safety spring	266 08 14				71	worm screw	266 84 91

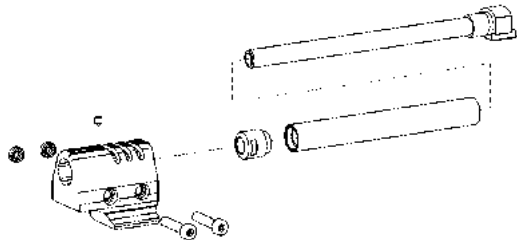
P22

WALTHER

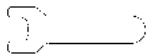


Special accessories

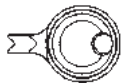
barrel, interchangeable
barrel length 5 inch (127 mm)
Part. no.: 265 93 01



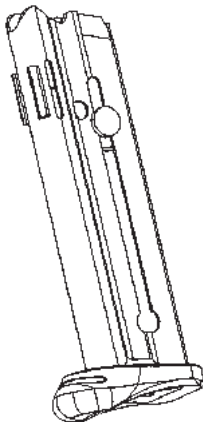
spanner for barrel
Part. no.: 266 10 71



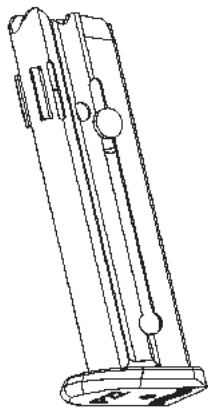
key for trigger lock
Part. no.: 266 08 65



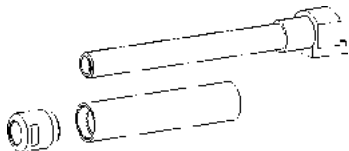
magazine
Part. no.: 265 93 44



magazine
Part. no.: 265 93 36



barrel, interchangeable
barrel length 3,4 inch (87 mm)
Part. no.: 265 92 98





Walther USA
2100 Roosevelt Ave.
Springfield, MA 01102
USA

Phone: +1-800-372-6454
Fax: +1-413-747-3682

All technical changes and modifications reserved
art. no.: 266 1446 (Walther USA)
